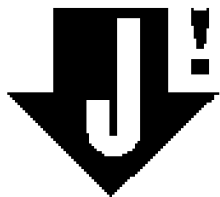
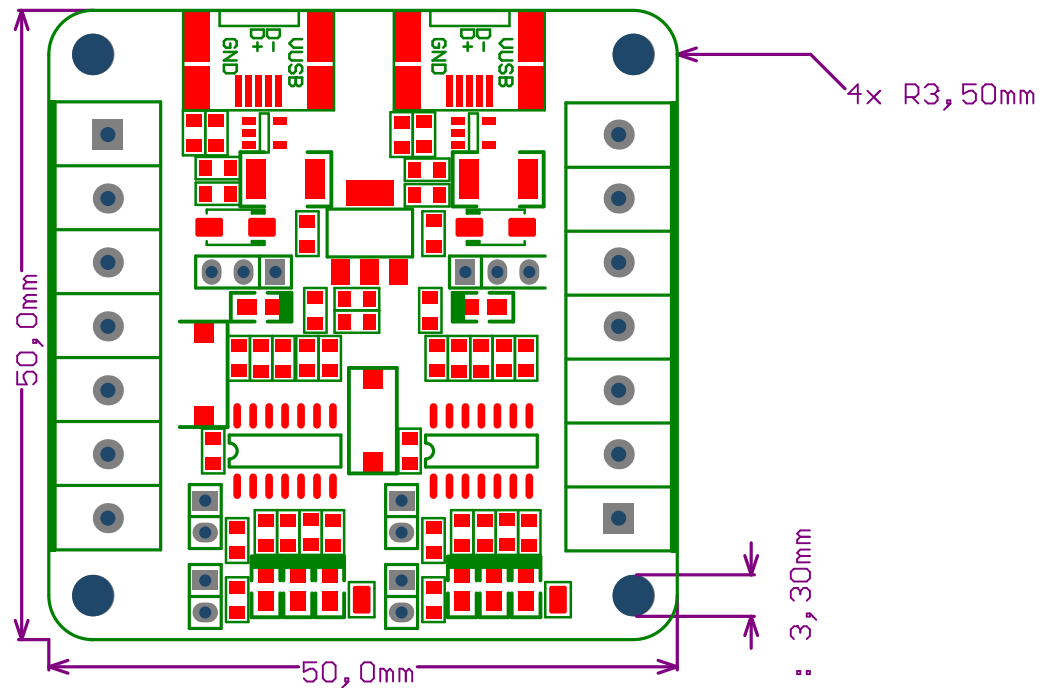


1

2



www.jechavarria.com

ENGINEER:
jechavarria

PCB DESIGNER:
jechavarria

DATE:
01/12/2015

FILE NAME:
PCBINFO_USB_DualComPort_V1.0

TITLE:

Dimensions (mm)

PART NO.:
Dual USB Serial Port Converter

REV:
V1.0

DWG NO:
PCBInfo

SIZE:
A6

SCALE:
1:1

1

2

1

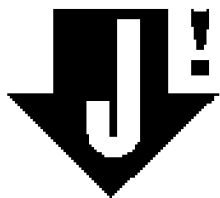
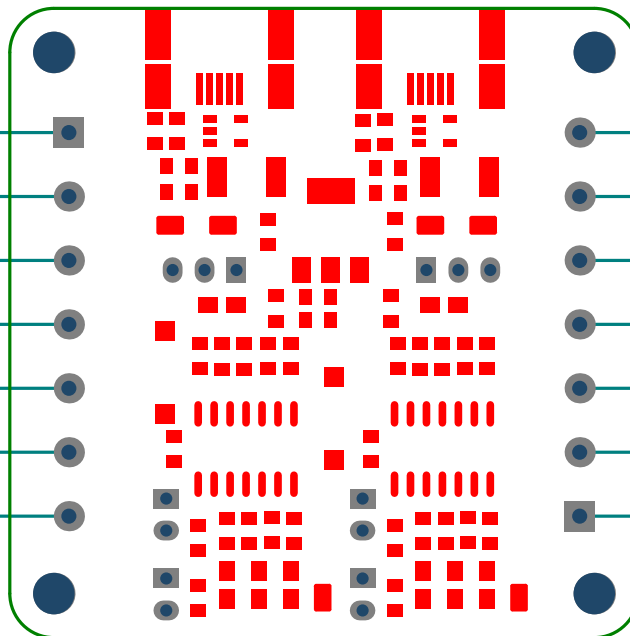
2

PORT A SIGNALS

PORT B SIGNALS

- +3V3
- VDDA
- TX OUTPUT
- RX INPUT
- SDA
- SCL
- GND

- GND
- SCL
- SDA
- RX INPUT
- TX OUTPUT
- VDDB
- +3V3



www.jechavarria.com

ENGINEER:
jechavarria

PCB DESIGNER:
jechavarria

DATE:
01/12/2015

FILE NAME:
PCBINFO_USB_DualComPort_V1.0

TITLE:

Component Identification

PART NO.:
Dual USB Serial Port Converter

REV:
V1.0

DWG NO:
PCBInfo

SIZE:
A6

SCALE:
1:1

1

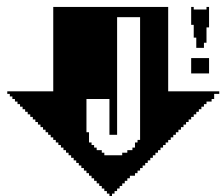
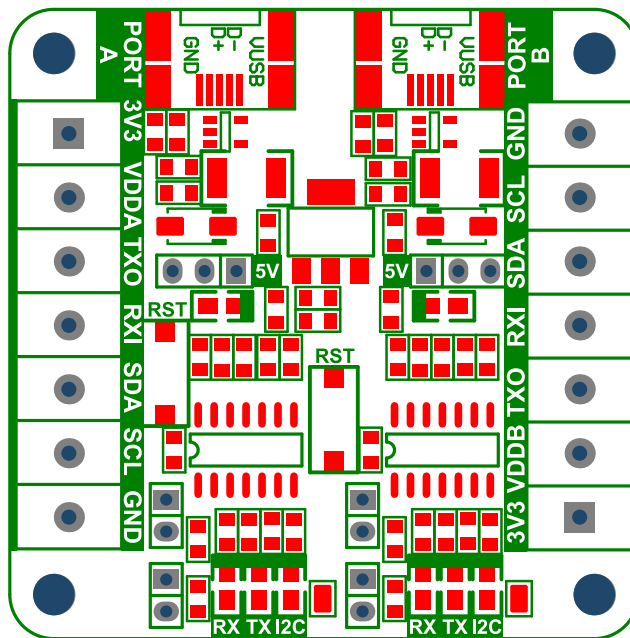
2

A

A

B

B



www.jechavarria.com

ENGINEER:
jechavarria

PCB DESIGNER:
jechavarria

DATE:
01/12/2015

FILE NAME:
PCBINFO_USB_DualComPort_V1.0

TITLE:

Top Overlay

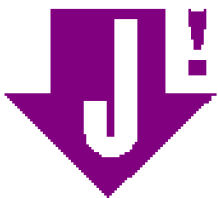
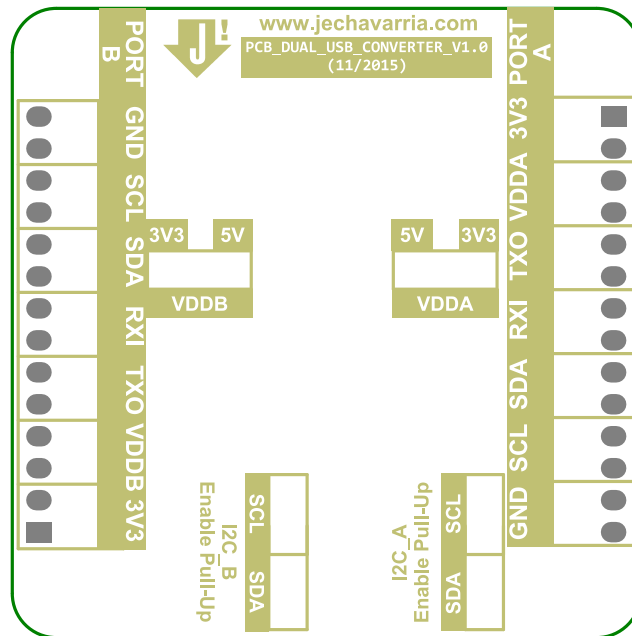
PART NO.:
Dual USB Serial Port Converter

REV:
V1.0

DWG NO:
PCBInfo

SIZE:
A6

SCALE:
1:1



www.jechavarria.com

ENGINEER:
jechavarria

PCB DESIGNER:
jechavarria

DATE:
01/12/2015

FILE NAME:
PCBINFO_USB_DualComPort_V1.0

TITLE:

Bottom Overlay

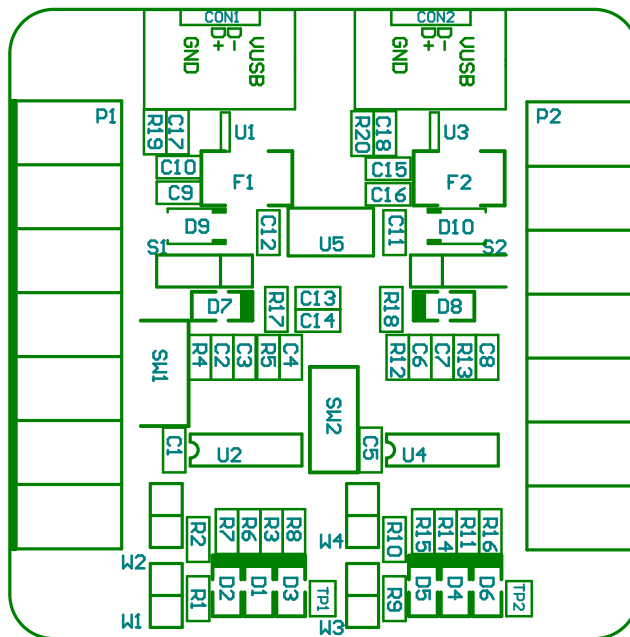
PART NO.:
Dual USB Serial Port Converter

REV:
V1.0

DWG NO:
PCBInfo

SIZE:
A6

SCALE:
1:1

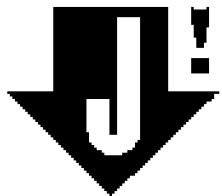


A

A

B

B



www.jechavarria.com

ENGINEER:
jechavarria

PCB DESIGNER:
jechavarria

DATE:
01/12/2015

FILE NAME:
PCBINFO_USB_DualComPort_V1.0

TITLE:
Top Layer
Component References

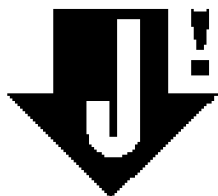
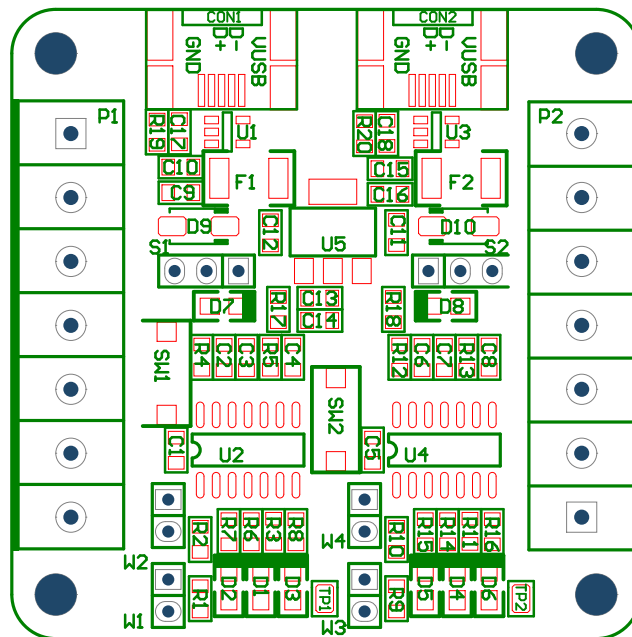
PART NO.:
Dual USB Serial Port Converter

REV:
V1.0

DWG NO:
PCBInfo

SIZE:
A6

SCALE:
1:1



www.jechavarria.com

ENGINEER:
jechavarria

PCB DESIGNER:
jechavarria

DATE:
01/12/2015

FILE NAME:
PCBINFO_USB_DualComPort_V1.0

TITLE:
Top Layer
Component References

PART NO.:
Dual USB Serial Port Converter

REV:
V1.0

DWG NO:
PCBInfo

SIZE:
A6

SCALE:
1:1