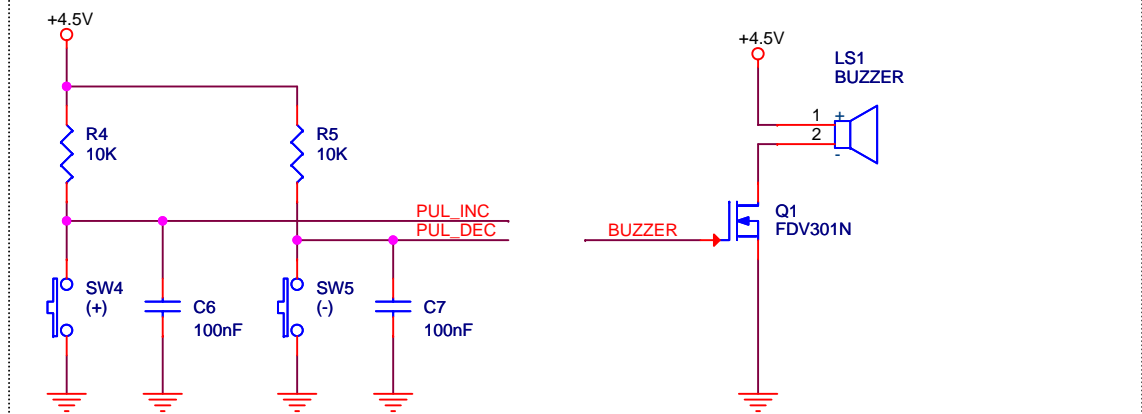
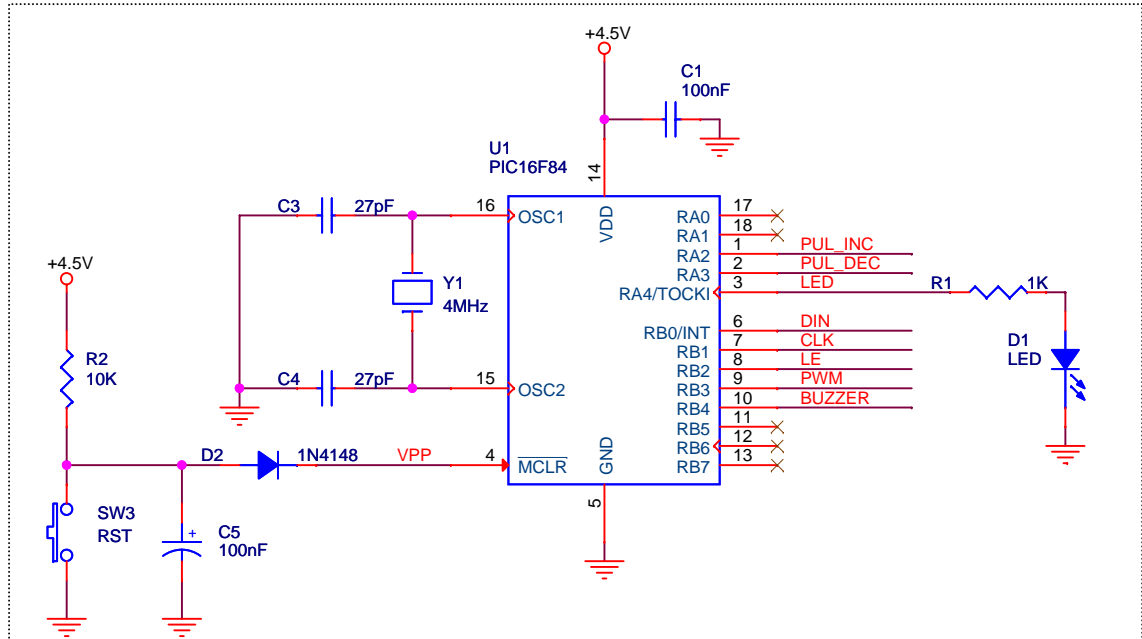
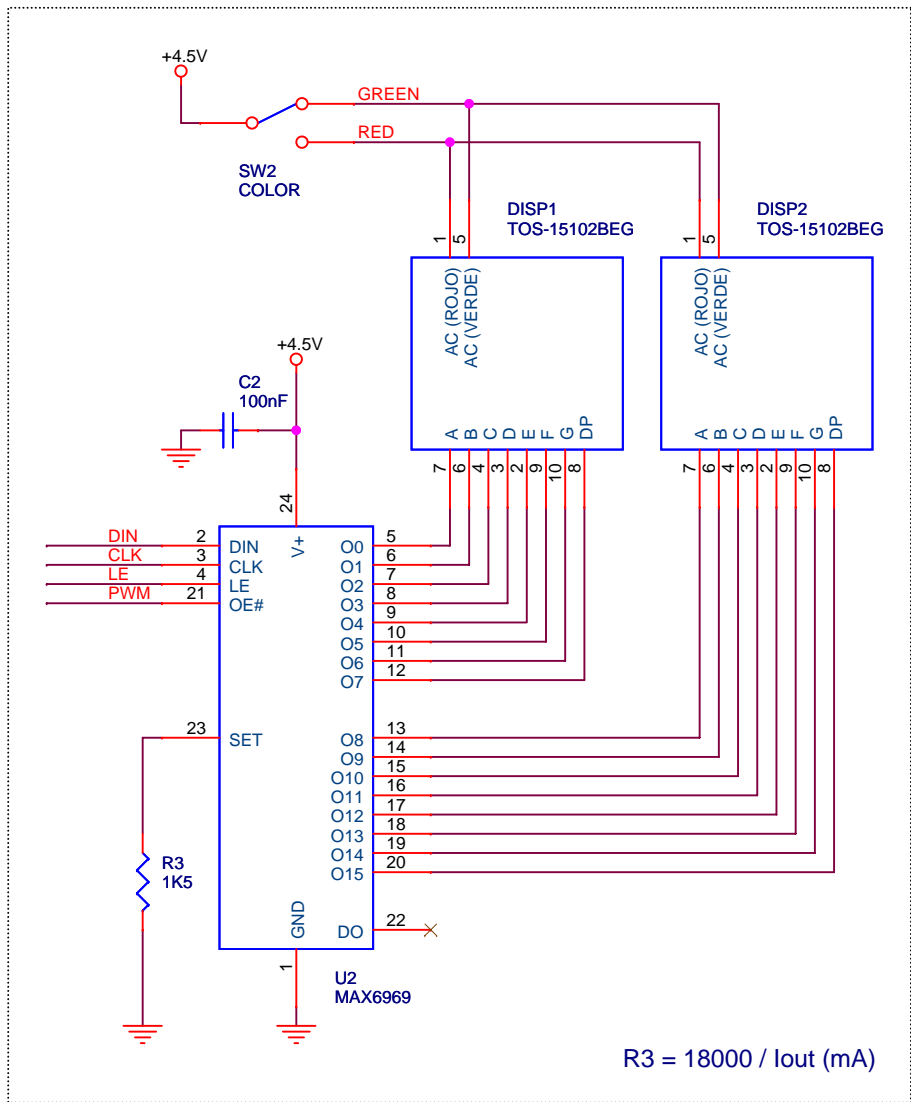


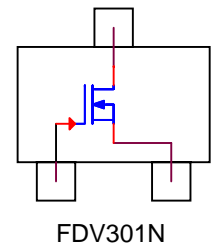
Power Supply (3xAA)



Microcontroller



7-Segment Driver



FDV301N

<b># Proyecto IOTA #</b>		
Prototipo P01 designed by jechavarria		
<b>Title</b>		
7-Segment Counter for Kids		
<b>Size</b>	Document Number	<b>Rev</b>
A4	IO_1302_01	1.0
<b>Date:</b>	Thursday, February 07, 2013	<b>Sheet</b> 1 of 1