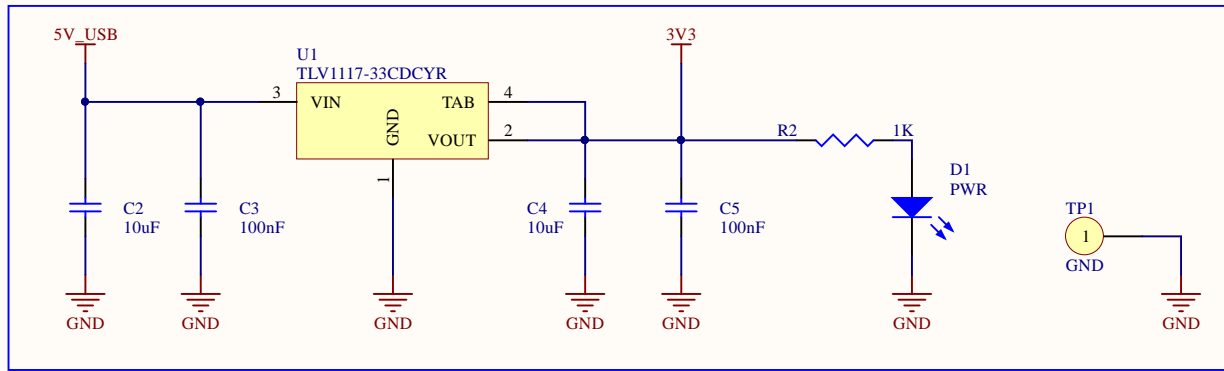
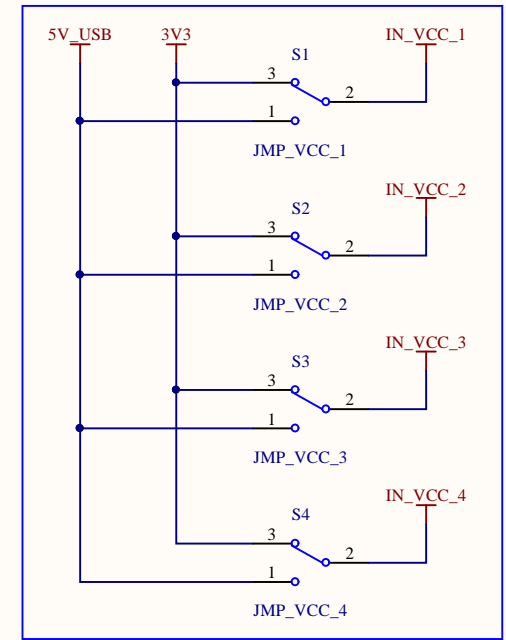


○ FDT1 ○ FDT2 ○ FDT3 ○ FDT4  
 Fiducials for SMD Assembly

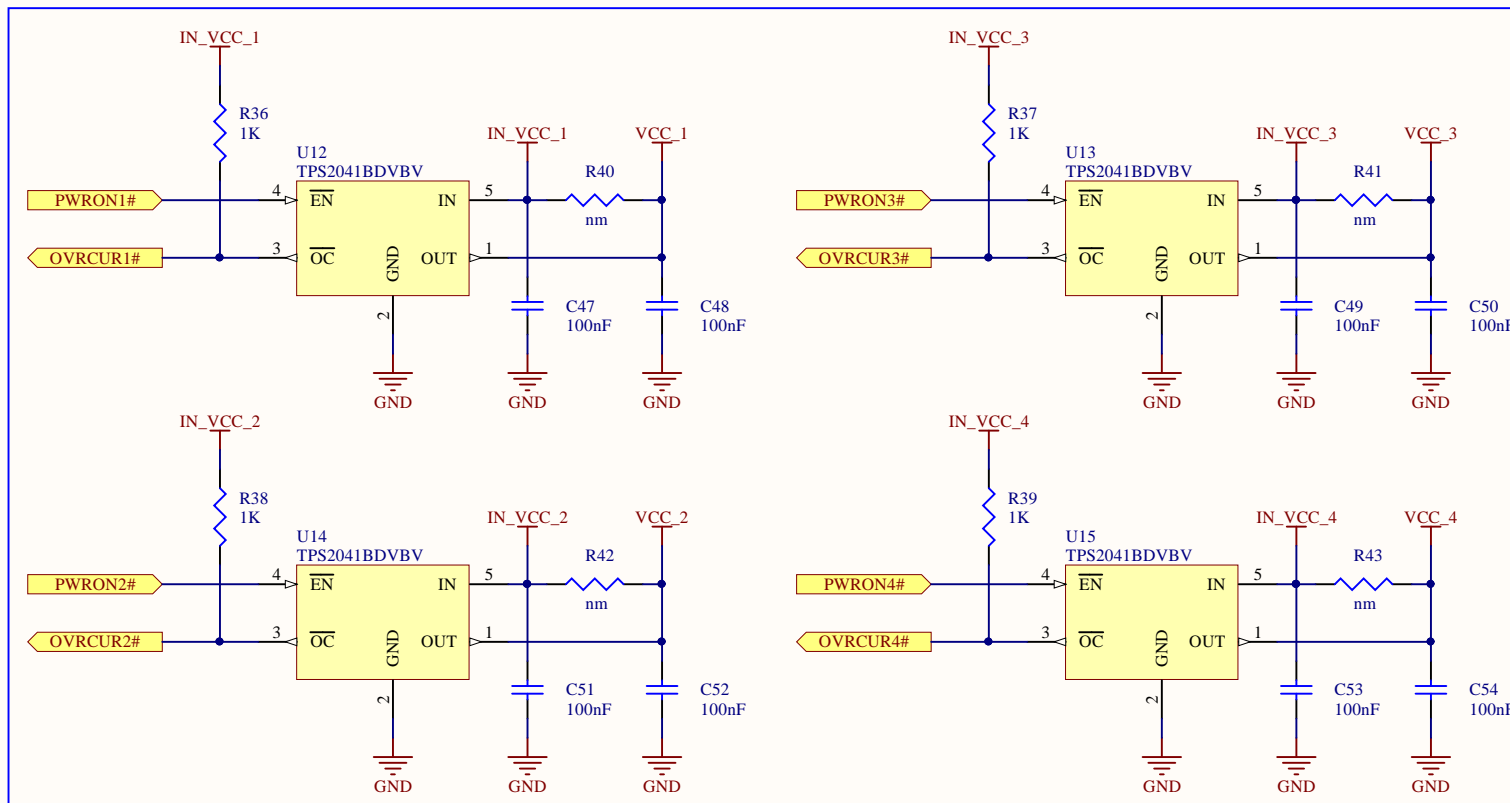
Title <b>Main Diagram</b>			SERIAL STAR Version 1.0	
Size: A4	Number: 1	Revision: 01		
Date: 22/01/2019	Time: 13:10:21	Sheet 1 of 8	design by jechavarria www.jechavarria.com	
File: F:\Trabajo\USB_Serialx4\02 Design\V01\01 Main Diagram.SchDoc				



5V to 3V3 LDO regulator



Independent Channel VCC Selection



Power Switches

Title **Power Supply**

SERIAL STAR  
Version 1.0

Size: A4

Number: 2

Revision: 01

Date: 22/01/2019

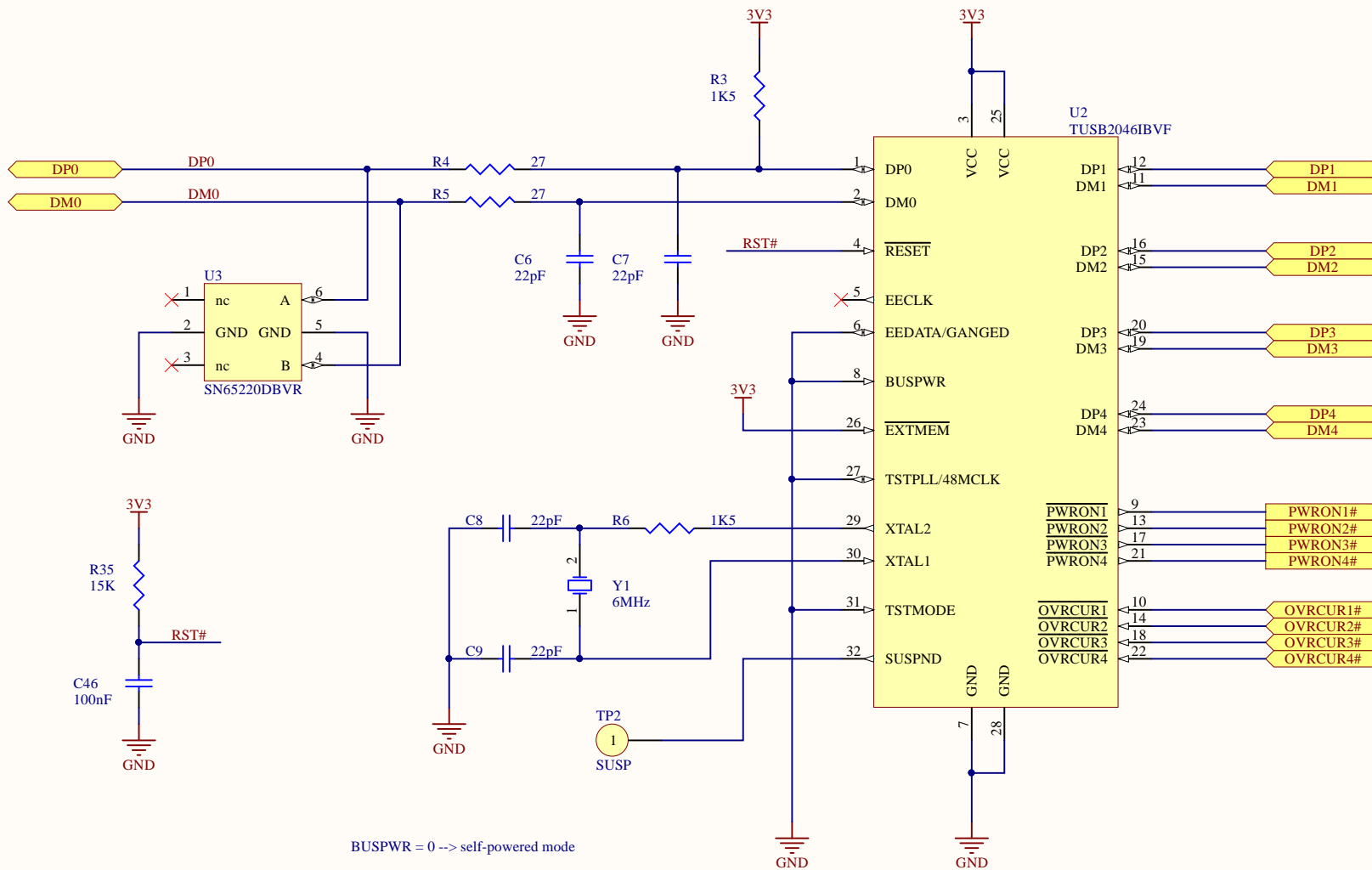
Time: 13:10:21

Sheet 2 of 8

File: F:\Trabajo\USB\_Serialx4\02 Design\V01\02 Power Supply.SchDoc

design by jechavarria  
www.jechavarria.com





BUSPWR = 0 --> self-powered mode  
 EXTMEM = 1 --> EEPROM interface disabled  
 EEDATA/GANGED = 0 --> per-port power overcurrent detection  
 TSTPLL = 0 --> normal 6-MHz operation  
 TSTMODE = 0 --> normal 6-MHz operation

Title **HUB USB TUSB2046**

SERIAL STAR  
Version 1.0

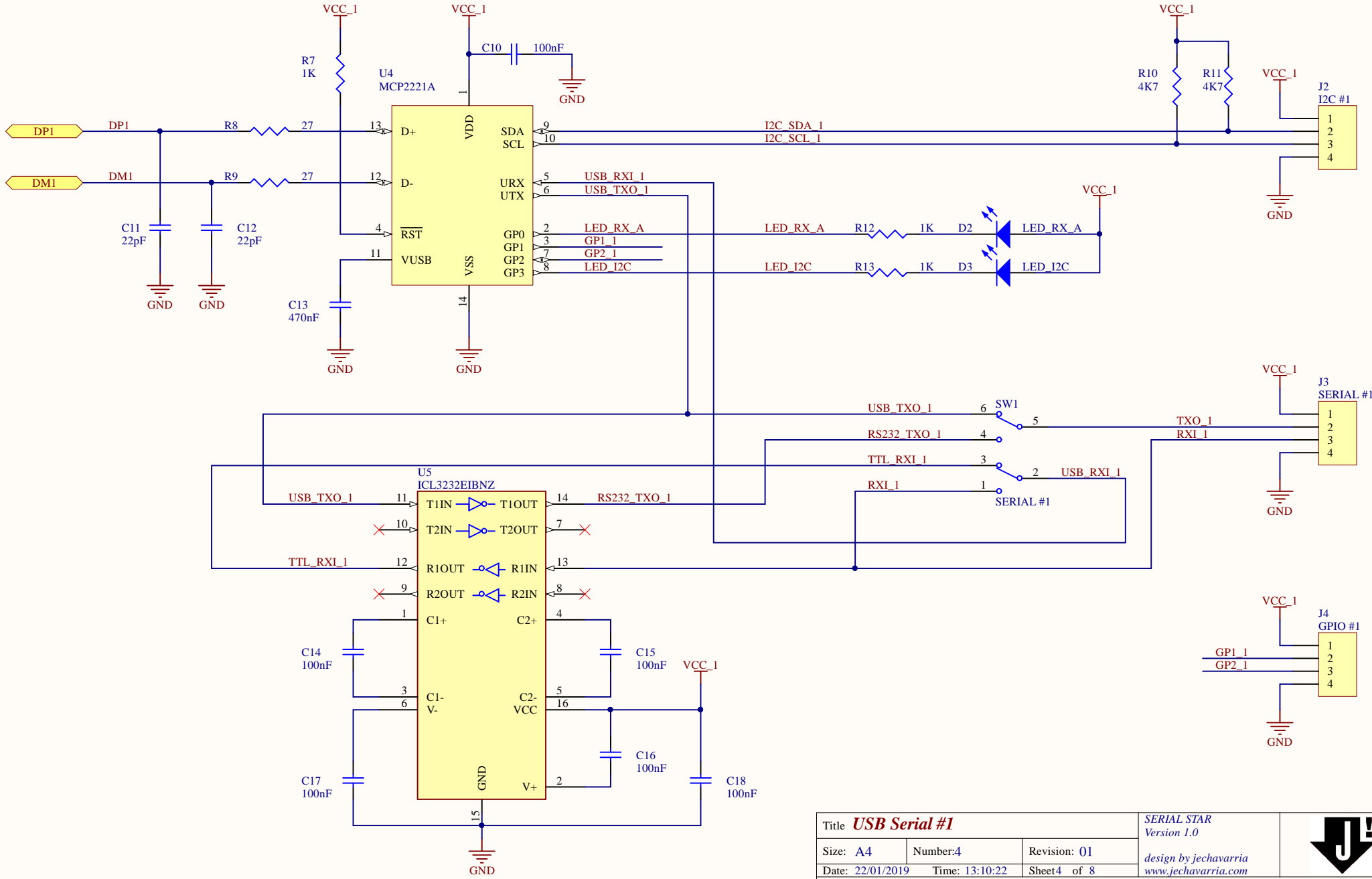
Size: A4      Number:3      Revision: 01


design by jechavarria  
www.jechavarria.com

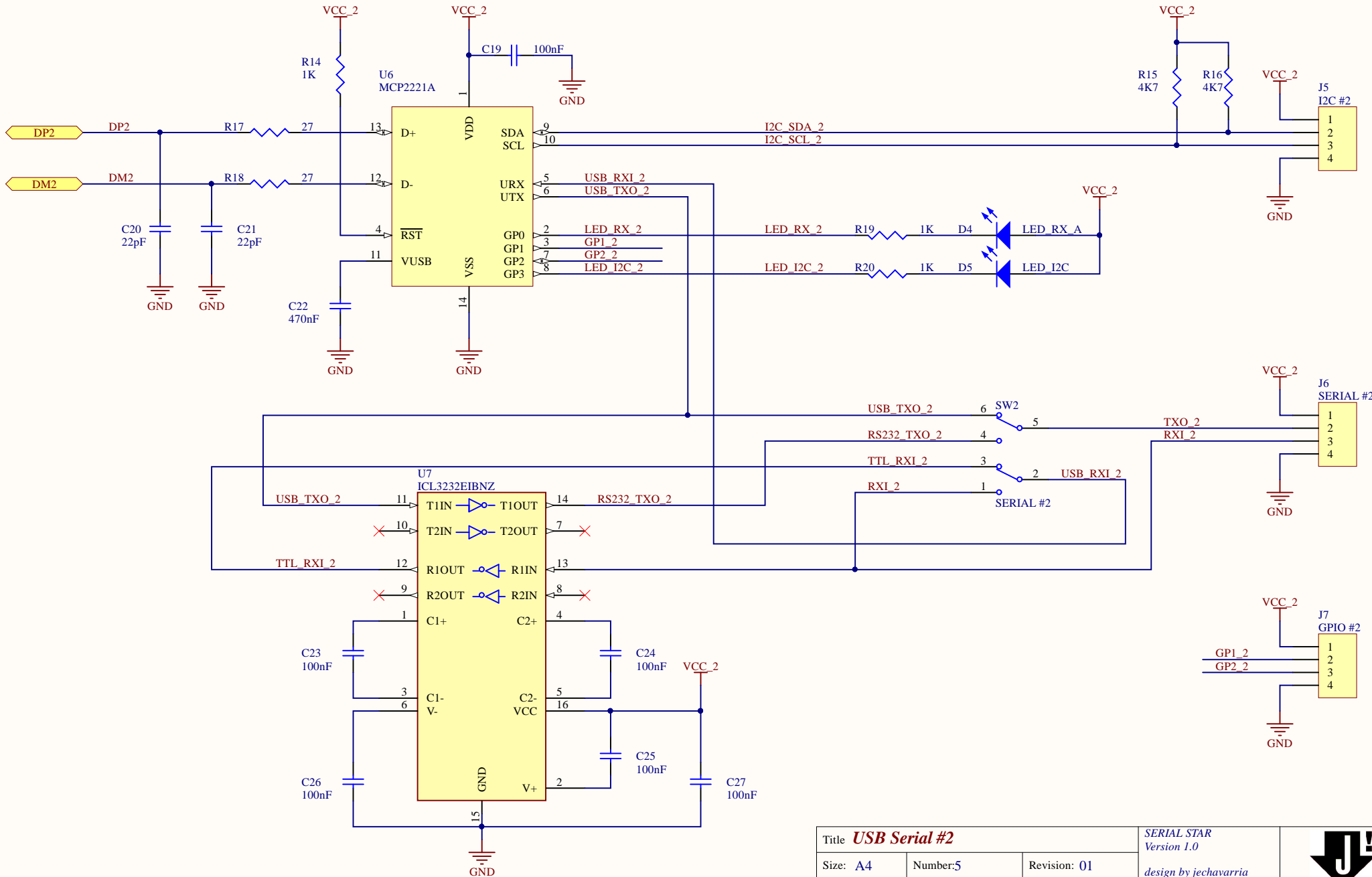
Date: 22/01/2019      Time: 13:10:21      Sheet 3 of 8

File: F:\Trabajo\USB\_Serialx4\02 Design\V01\03 HUB USB TUSB2046.SchDoc

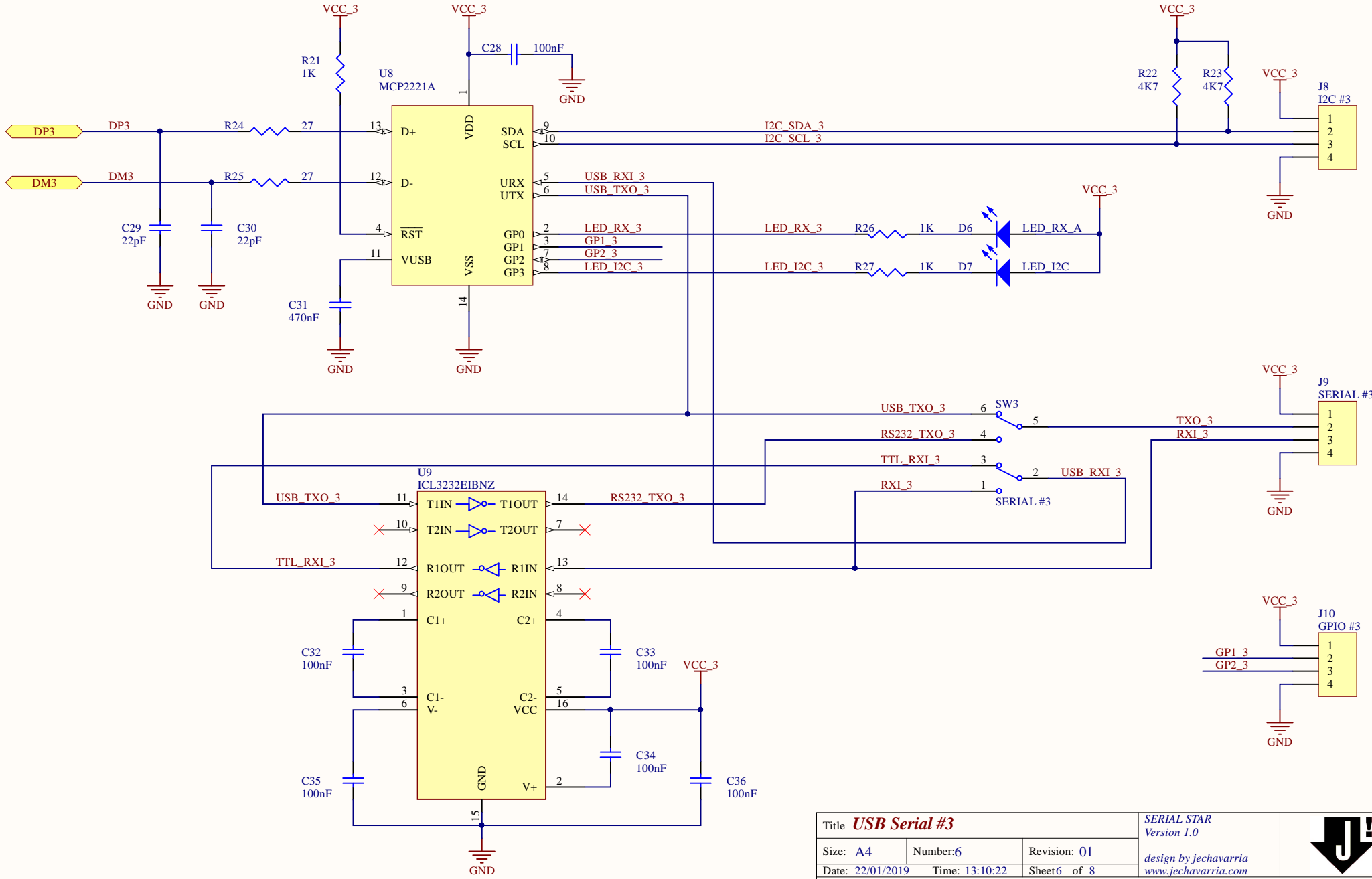





Title <b>USB Serial #1</b>			SERIAL STAR Version 1.0 design by jechavarria www.jechavarria.com	
Size: A4	Number: 4	Revision: 01		
Date: 22/01/2019	Time: 13:10:22	Sheet4 of 8		
File: F:\Trabajo\USB_Serialx4\02 Design\V01\04 USB Serial 01.SchDoc				



Title <b>USB Serial #2</b>			SERIAL STAR Version 1.0	
Size: A4	Number: 5	Revision: 01		
Date: 22/01/2019	Time: 13:10:22	Sheet 5 of 8	design by jechavarria www.jechavarria.com	
File: F:\Trabajo\USB_Serialx4\02 Design\V01\05 USB Serial 02.SchDoc				



Title <b>USB Serial #3</b>		SERIAL STAR Version 1.0		
Size: A4	Number:6	Revision: 01		
Date: 22/01/2019	Time: 13:10:22	Sheet6 of 8		
File: F:\Trabajo\USB_Serialx4\02 Design\V01\06 USB Serial 03.SchDoc				

A  
B  
C  
D

A  
B  
C  
D

1

2

3

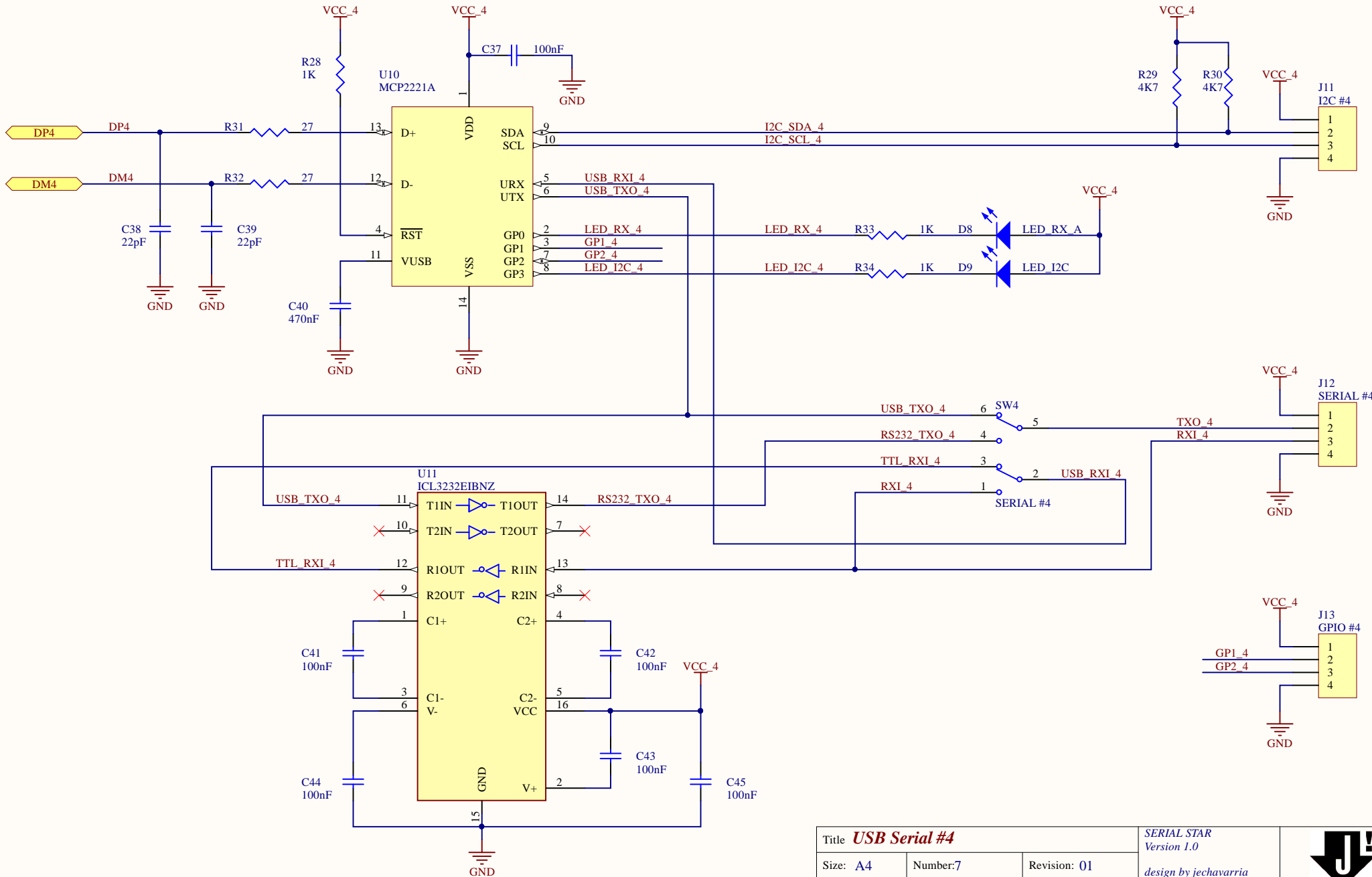
4

1

2

3

4



Title <b>USB Serial #4</b>			SERIAL STAR Version 1.0	
Size: A4	Number: 7	Revision: 01		
Date: 22/01/2019	Time: 13:10:22	Sheet 7 of 8	design by jechavarria www.jechavarria.com	
File: F:\Trabajo\USB_Serialx4\02 Design\V01\07 USB Serial 04.SchDoc				

1

2

3

4

A

A

B

B


C

C

D

D

GP0	SSPND	OUT	Host on Suspend Mode
	LED_URX	OUT	UART RX Led
GP1	CLKR	OUT	Clock Reference Out
	ADC1	IN	ADC Channel 1
	LED_UTX	OUT	UART TX Led
	IOC	IN	External Interrupt Edge Detector
GP2	USBCFG	OUT	USB Configured Status
	ADC2	IN	ADC Channel 2
	DAC1	OUT	DAC Output 1
GP3	LED_I2C	OUT	USB-I2C Traffic Indicator
	ADC3	IN	ADC Channel 3
	DAC2	OUT	DAC Output 2

Title <b>MCP2221 GPIO Notes</b>			SERIAL STAR Version 1.0	
Size: A4	Number:8	Revision: 01	design by jechavarria www.jechavarria.com	
Date: 22/01/2019	Time: 13:10:22	Sheet 8 of 8		
File: F:\Trabajo\USB_Serialx4\02 Design\V01\99 Doc.SchDoc				

1

2

3

4