

Title Diagrama Principal		
Size: A4	Number: 1	Revision: 1.2A
Date: 18/10/2016	Time: 14:09:34	Sheet 1 of 10
File: 01 Diagrama Principal.SchDoc		

DSETA BOARD
 (Altium Design)
 Version 1.2A
 designed by jechavarria
 www.jechavarria.com



1

2

3

4

A

A

B

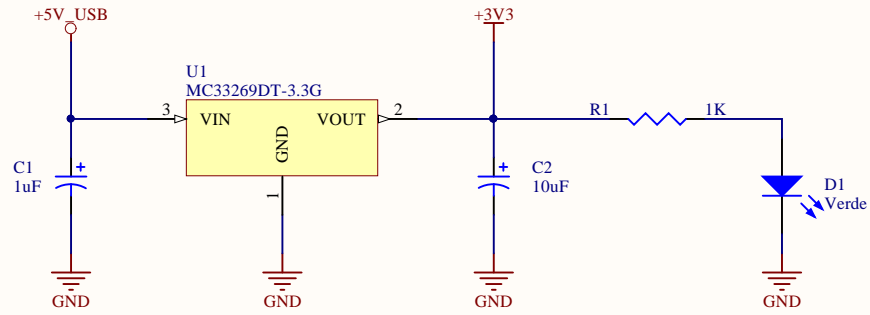
B


C

C

D

D



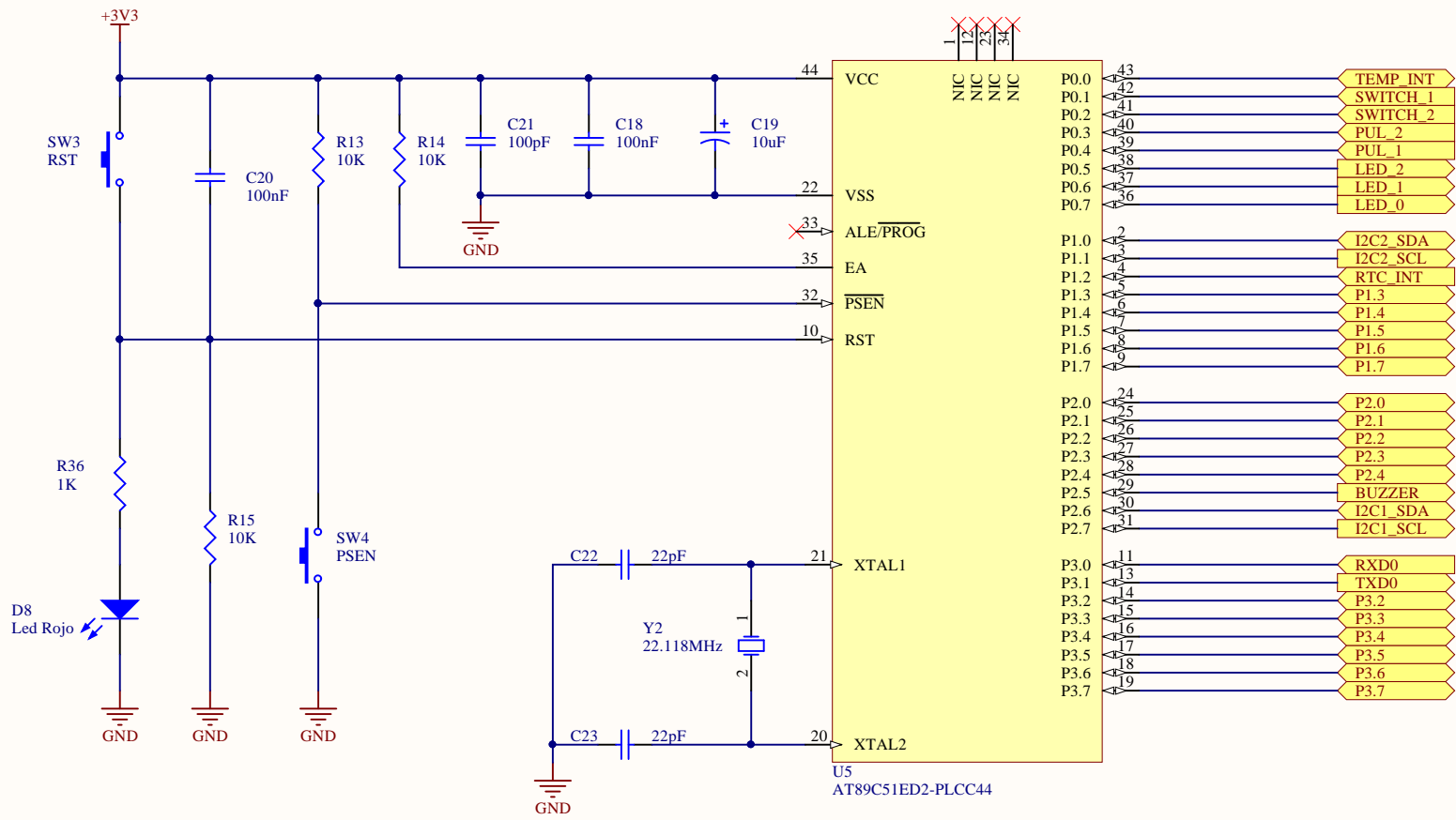
Title Alimentacion			DSETA BOARD (Altium Design)		
Size: A4	Number: 2	Revision: 1.2A	Version 1.2A		
Date: 18/10/2016	Time: 14:09:34	Sheet 2 of 10	designed by jechavarria		
File: 02 Alimentacion.SchDoc			www.jechavarria.com		

1

2

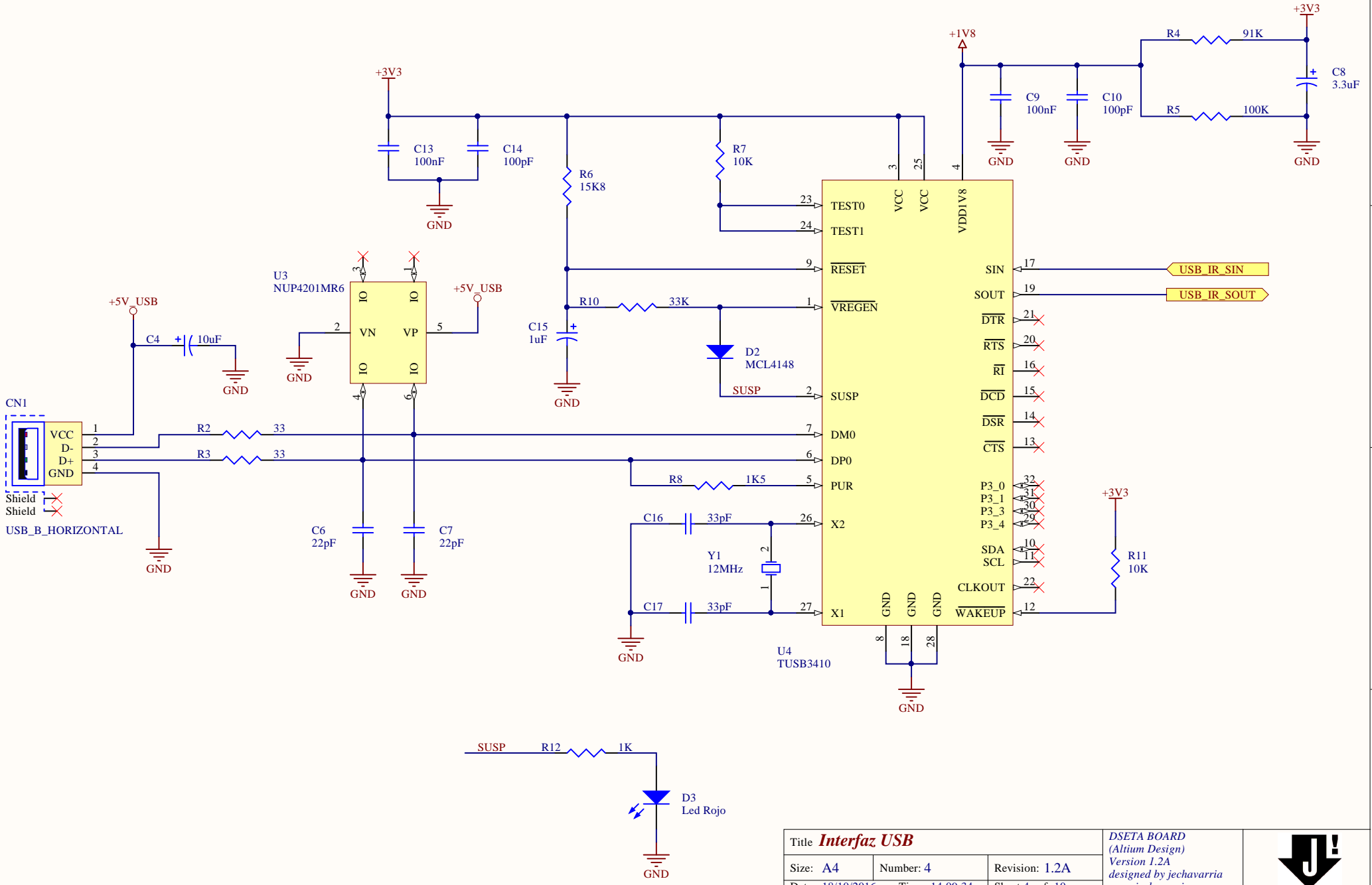
3

4

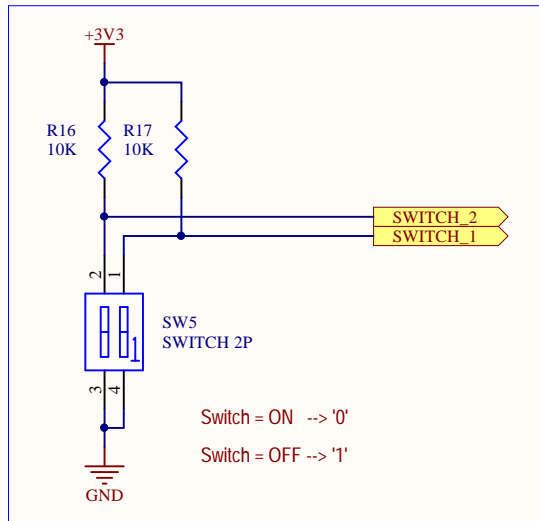


Title Microcontrolador		DSETA BOARD (Altium Design)	
Size: A4	Number: 3	Revision: 1.2A	Version 1.2A
Date: 18/10/2016	Time: 14:09:34	Sheet 3 of 10	designed by jechavarria
File: 03 Microcontrolador.SchDoc		www.jechavarria.com	

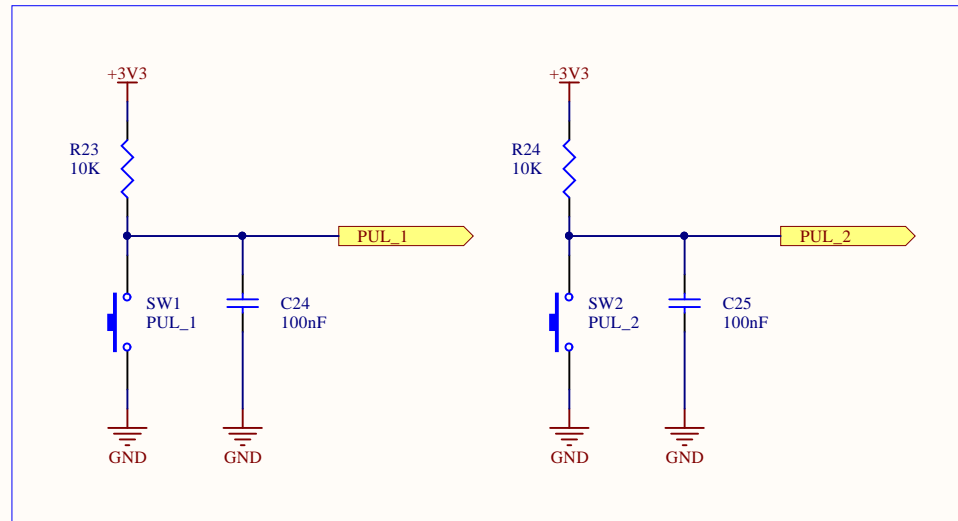




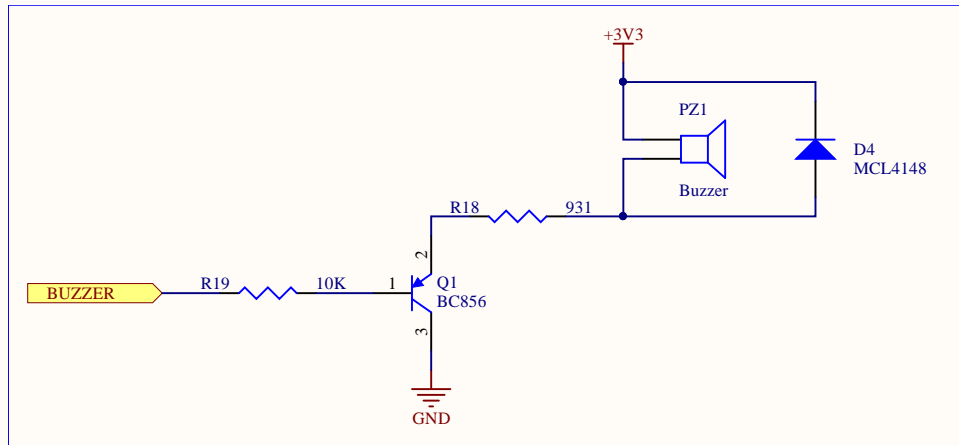
Title Interfaz USB			DSETA BOARD (Altium Design) Version 1.2A designed by jechavarria www.jechavarria.com	
Size: A4	Number: 4	Revision: 1.2A		
Date: 18/10/2016	Time: 14:09:34	Sheet 4 of 10		
File: 04 Interfaz USB.SchDoc				



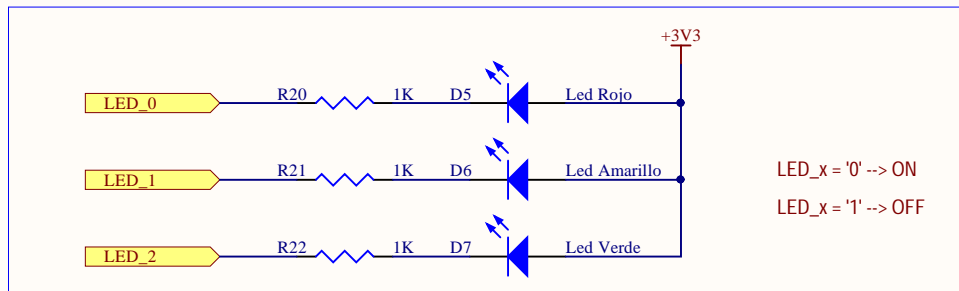
Switches



Pulsadores



Buzzer



Led's de proposito general

Title Interfaz Humana			DSETA BOARD (Altium Design) Version 1.2A designed by jechavarria www.jechavarria.com	
Size: A4	Number: 5	Revision: 1.2A		
Date: 18/10/2016	Time: 14:09:35	Sheet 5 of 10		
File: 05 Interfaz Humana.SchDoc				

1

2

3

4

A

A

B

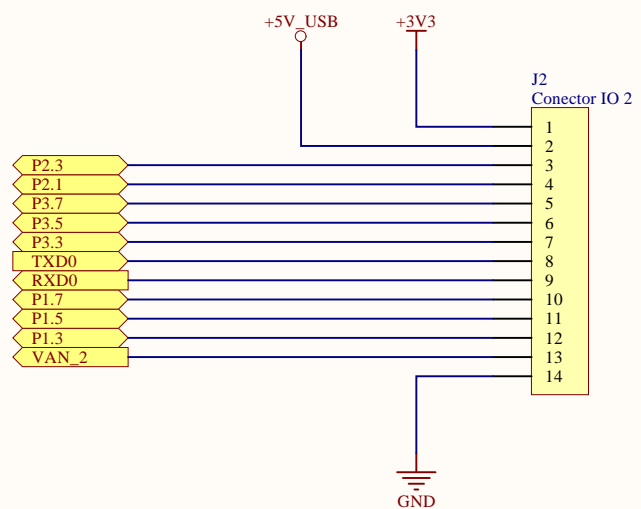
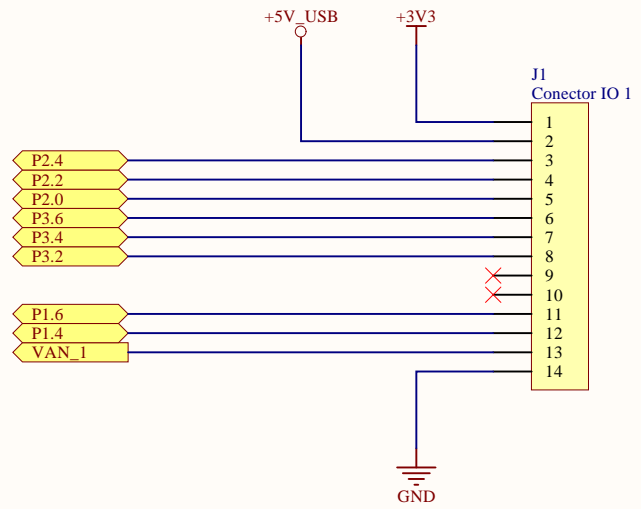
B

C

C

D

D



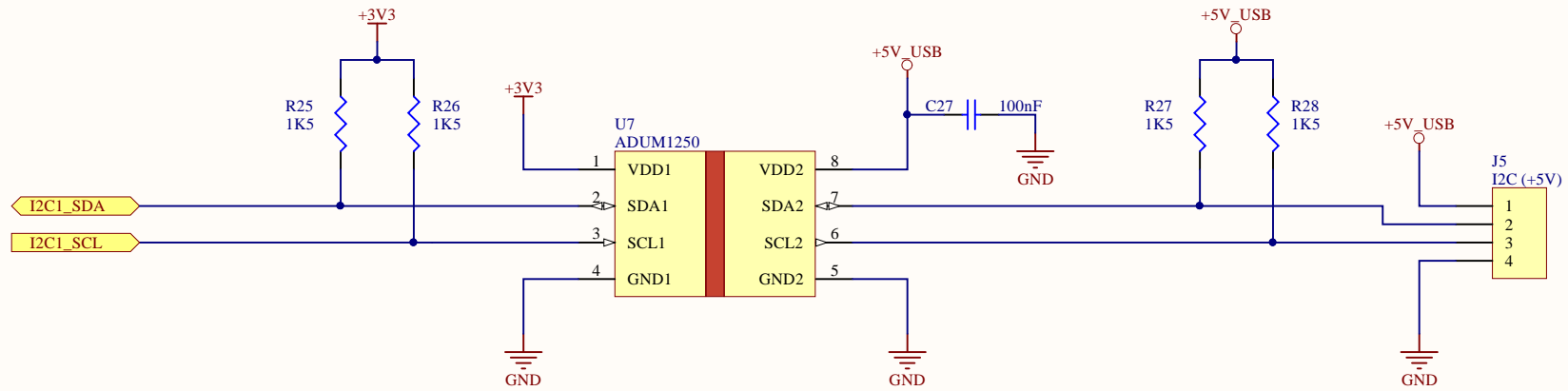
Title Conectores de Salida			DSETA BOARD (Altium Design) Version 1.2A designed by jechavarria www.jechavarria.com	
Size: A4	Number: 6	Revision: 1.2A		
Date: 18/10/2016	Time: 14:09:35	Sheet 6 of 10		
File: 06 - Conectores de Salida.SchDoc				

1

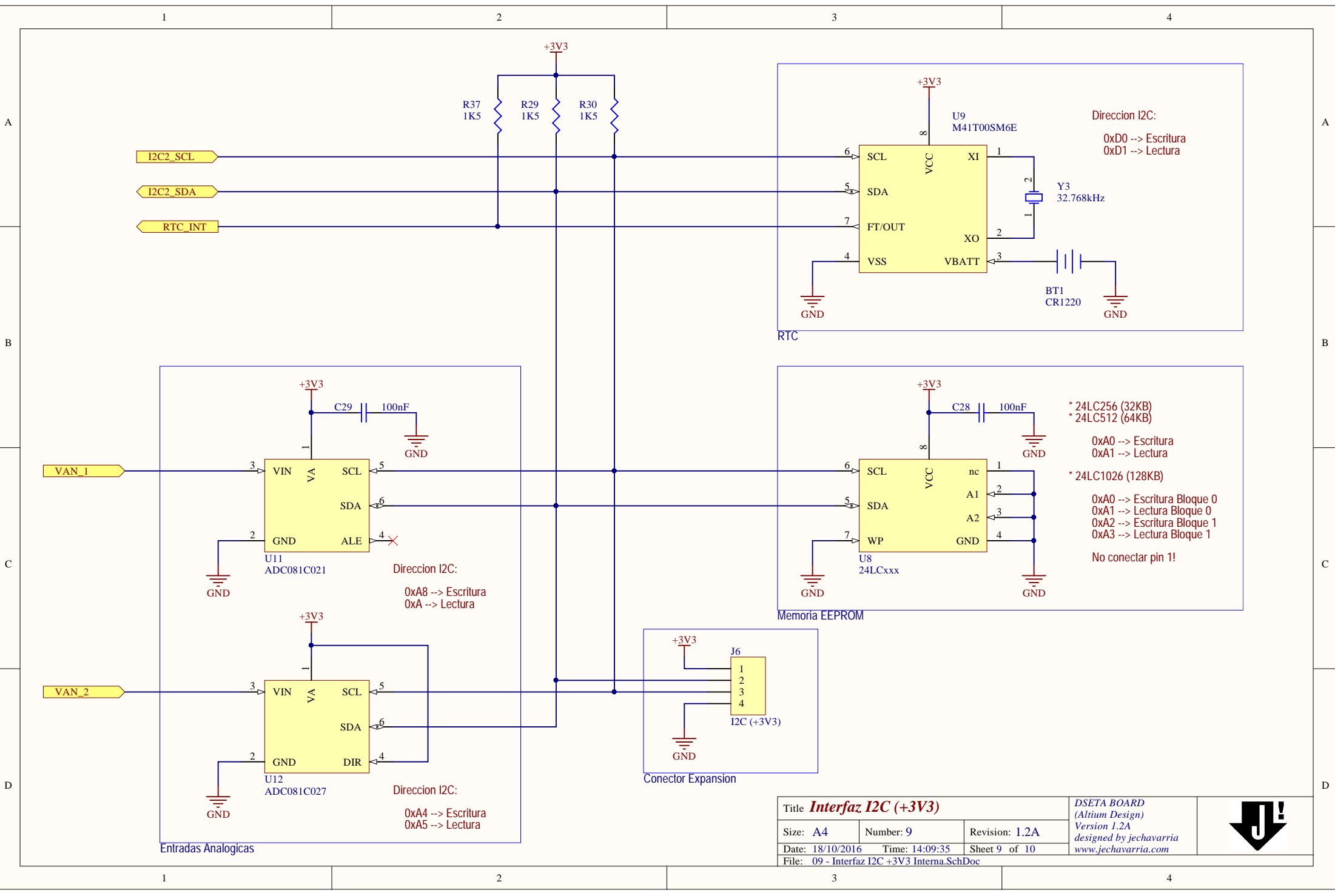
2

3

4



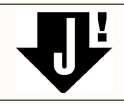
Title Interfaz I2C (+5V)			DSETA BOARD (Altium Design) Version 1.2A designed by jechavarria www.jechavarria.com	
Size: A4	Number: 8	Revision: 1.2A		
Date: 18/10/2016	Time: 14:09:35	Sheet 8 of 10		
File: 08 - Interfaz I2C +5V Externa.SchDoc				

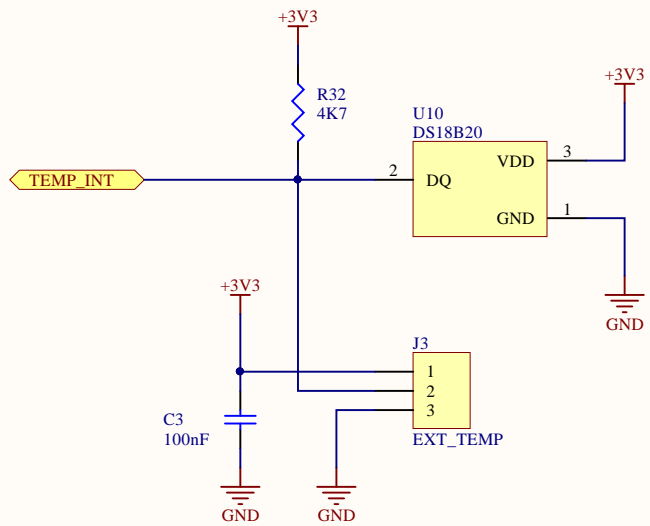



Title **Interfaz I2C (+3V3)**

Size: A4	Number: 9	Revision: 1.2A
Date: 18/10/2016	Time: 14:09:35	Sheet 9 of 10
File: 09 - Interfaz I2C +3V3 Interna.SchDoc		

DSETA BOARD
(Altium Design)
Version 1.2A
designed by jechavarria
www.jechavarria.com





Title Sensor Temperatura			
Size: A4	Number: 10	Revision: 1.2A	
Date: 18/10/2016	Time: 14:09:35	Sheet 10 of 10	
File: 10 - Sensor Temperatura.SchDoc			

DSETA BOARD
 (Altium Design)
 Version 1.2A
 designed by jechavarria
www.jechavarria.com