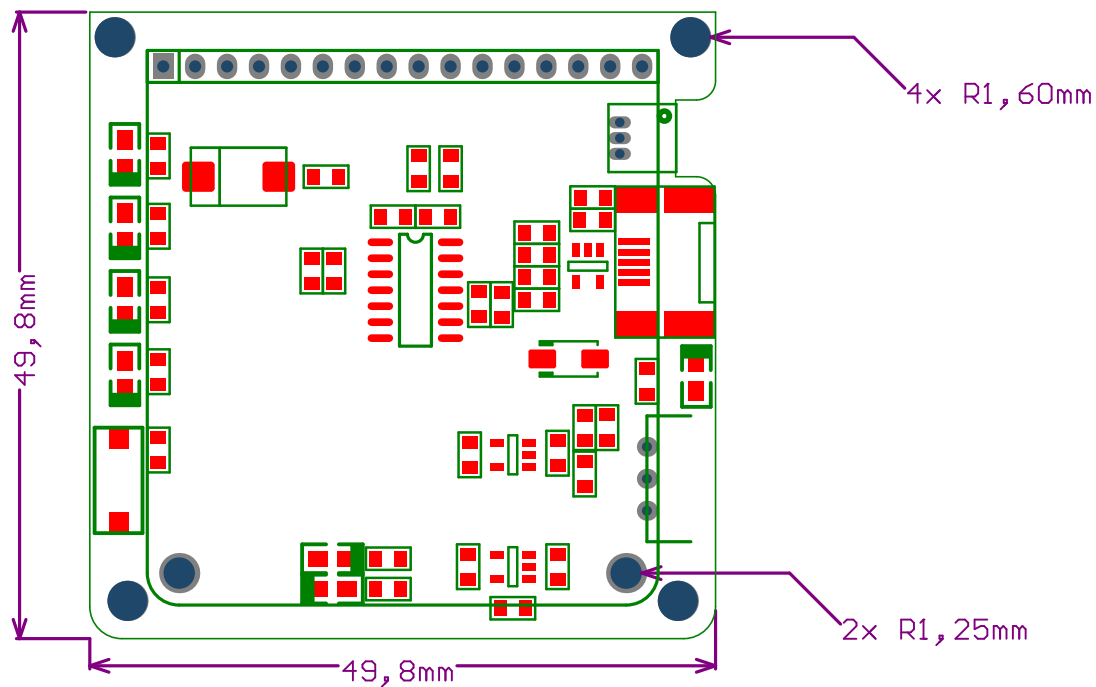


1

2

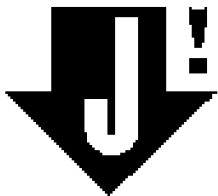
A

A



B

B



www.jechavarria.com

ENGINEER:  
jechavarria

PCB DESIGNER:  
jechavarria

DATE:  
28/11/2016

FILE NAME:  
PCBINFO\_FONA808\_PC\_V1.0

TITLE:

Dimensions (mm)

PART NO.:  
FONA808\_PC BOARD

DWG NO:  
PCBInfo

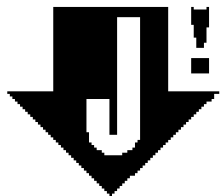
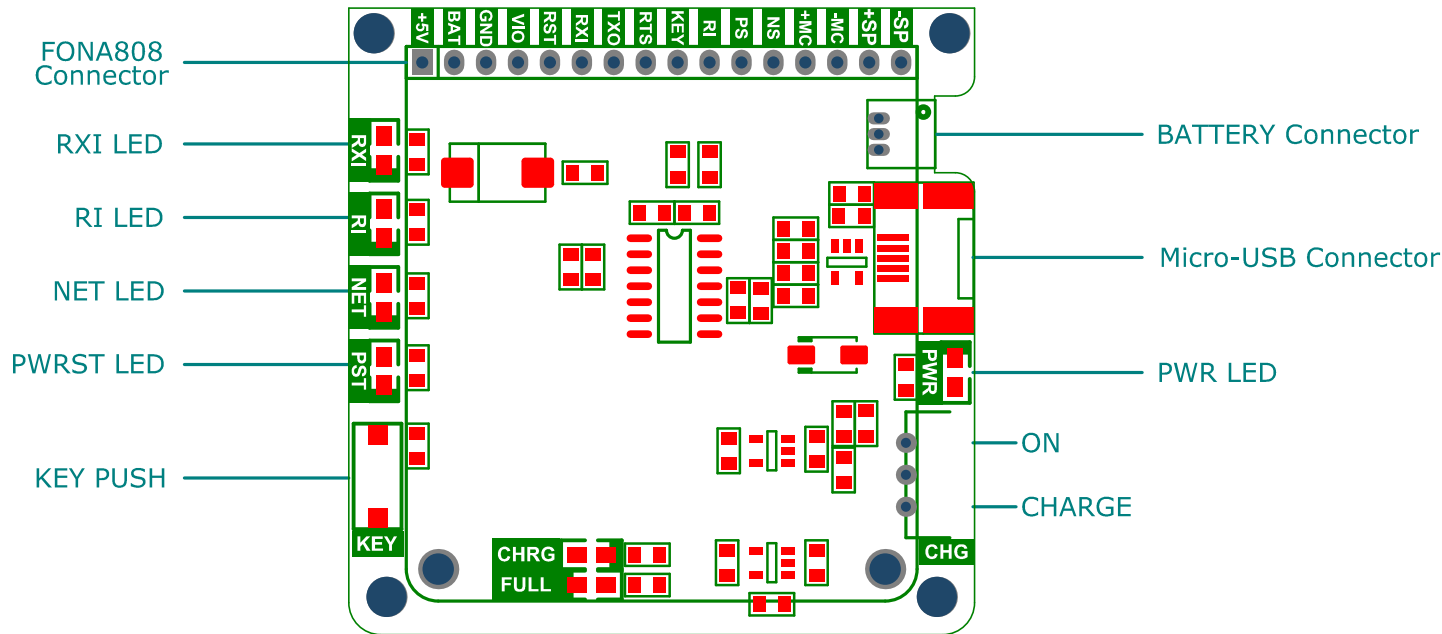
REV:  
V1.0

SIZE:  
A6

SCALE:  
1:1

1

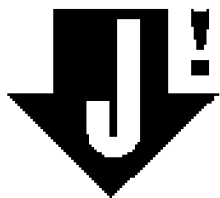
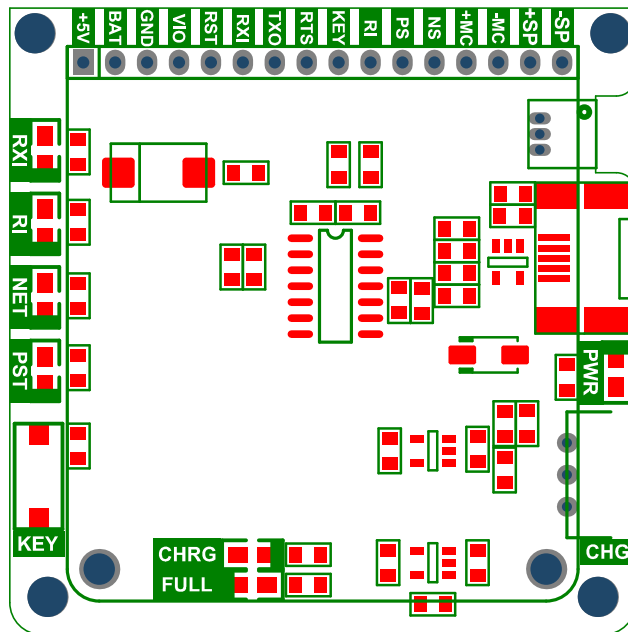
2



www.jechavarria.com

ENGINEER: jechavarria	TITLE:  Component Identification
PCB DESIGNER: jechavarria	
DATE: 28/11/2016	PART NO.: FONA808_PC BOARD
FILE NAME: PCBINFO_FONA808_PC_V1.0	DWG NO: PCBInfo

REV: V1.0
SIZE: A6
SCALE: 1:1



www.jechavarria.com

ENGINEER:  
jechavarria

PCB DESIGNER:  
jechavarria

DATE:  
28/11/2016

FILE NAME:  
PCBINFO\_FONA808\_PC\_V1.0

TITLE:

Top Layer  
Top Overlay  
Component References

PART NO.:  
FONA808\_PC BOARD

REV:  
V1.0

DWG NO:  
PCBInfo

SIZE:  
A6

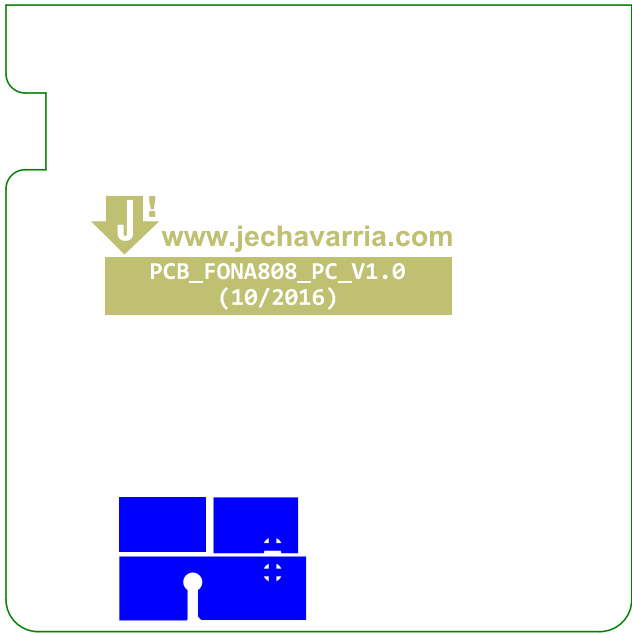
SCALE:  
1:1

1

2

A

A



B

B

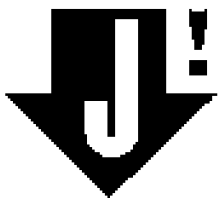
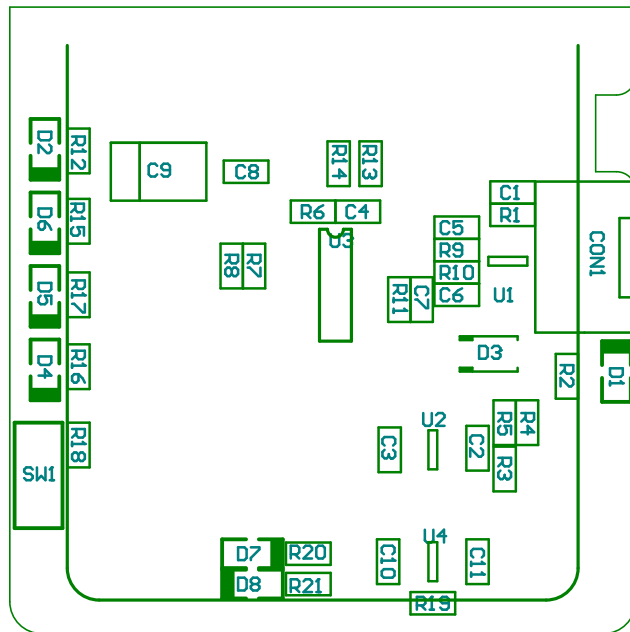


www.jechavarria.com

ENGINEER: jechavarria	TITLE:  Bottom Overlay		
PCB DESIGNER: jechavarria			
DATE: 28/11/2016	PART NO.:	FONA808_PC BOARD	REV: V1.0
FILE NAME: PCBINFO_FONA808_PC_V1.0	DWG NO: PCBInfo	SIZE: A6	SCALE: 1:1

1

2



www.jechavarria.com

ENGINEER:  
jechavarria

PCB DESIGNER:  
jechavarria

DATE:  
28/11/2016

FILE NAME:  
PCBINFO\_FONA808\_PC\_V1.0

TITLE:  
Top Layer  
Component References

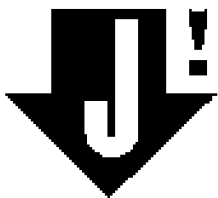
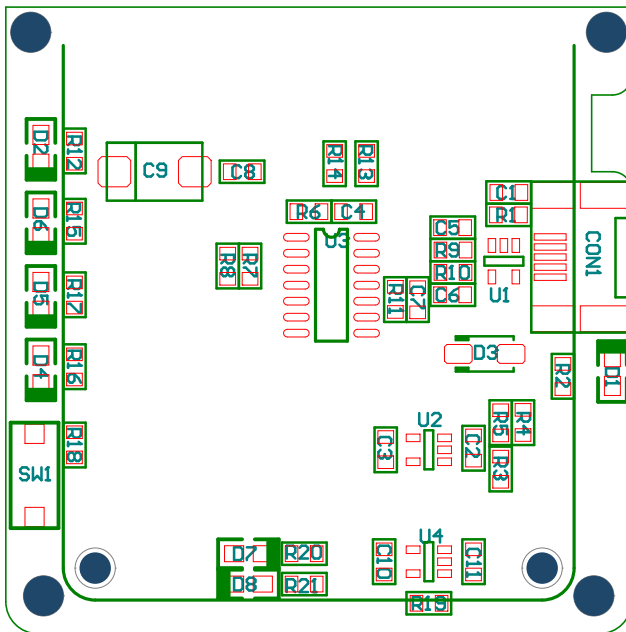
PART NO.:  
FONA808\_PC BOARD

REV:  
V1.0

DWG NO:  
PCBInfo

SIZE:  
A6

SCALE:  
1:1



www.jechavarria.com

ENGINEER:  
jechavarria

PCB DESIGNER:  
jechavarria

DATE:  
28/11/2016

FILE NAME:  
PCBINFO\_FONA808\_PC\_V1.0

TITLE:  
Top Layer  
Component References

PART NO.:  
FONA808\_PC BOARD

REV:  
V1.0

DWG NO:  
PCBInfo

SIZE:  
A6

SCALE:  
1:1

1

2

A

A



B

B



www.jechavarria.com

ENGINEER: jechavarria	TITLE:  Bottom Overlay		
PCB DESIGNER: jechavarria			
DATE: 28/11/2016	PART NO.: FONA808_PC BOARD	REV: V1.0	
FILE NAME: PCBINFO_FONA808_PC_V1.0	DWG NO: PCBInfo	SIZE: A6	SCALE: 1:1

1

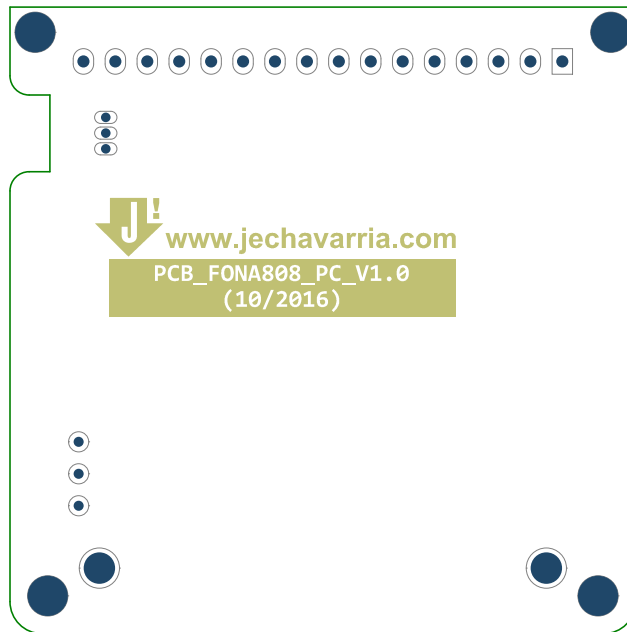
2

1

2

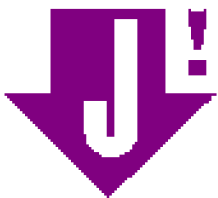
A

A



B

B



www.jechavarria.com

ENGINEER:  
jechavarria

PCB DESIGNER:  
jechavarria

DATE:  
28/11/2016

FILE NAME:  
PCBINFO\_FONA808\_PC\_V1.0

TITLE:  
Bottom Overlay

PART NO.: FONA808\_PC BOARD

REV:  
V1.0

DWG NO:  
PCBInfo

SIZE:  
A6

SCALE:  
1:1

1

2