
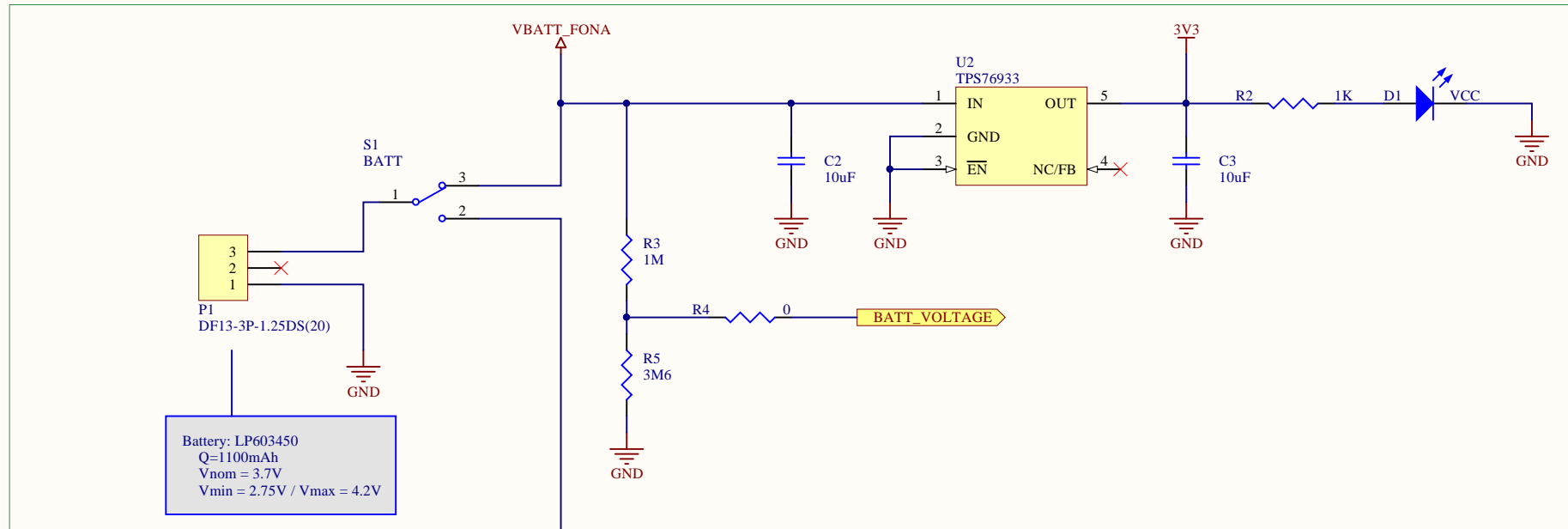
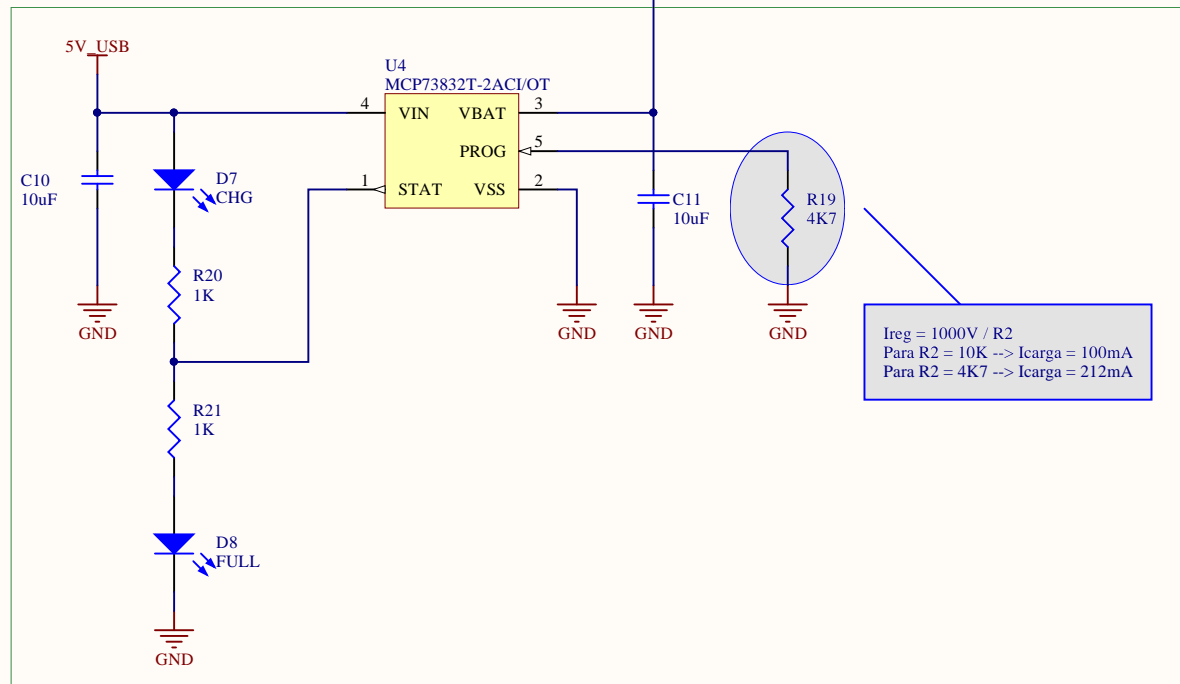


Title Main Diagram			FONA808 PC Board Version 1.0	
Size: A4	Number: 1	Revision: 01	designed by jechavarria www.jechavarria.com	
Date: 21/10/2016	Time: 14:25:53	Sheet 1 of 4		
File: 01 Diagrama Principal.SchDoc				



Internal 3.3V Power Supply



Local Battery Charger

Title **Power Supply**

FONA808 PC Board
 Version 1.0

Size: A4

Number: 2

Revision: 01

Date: 21/10/2016

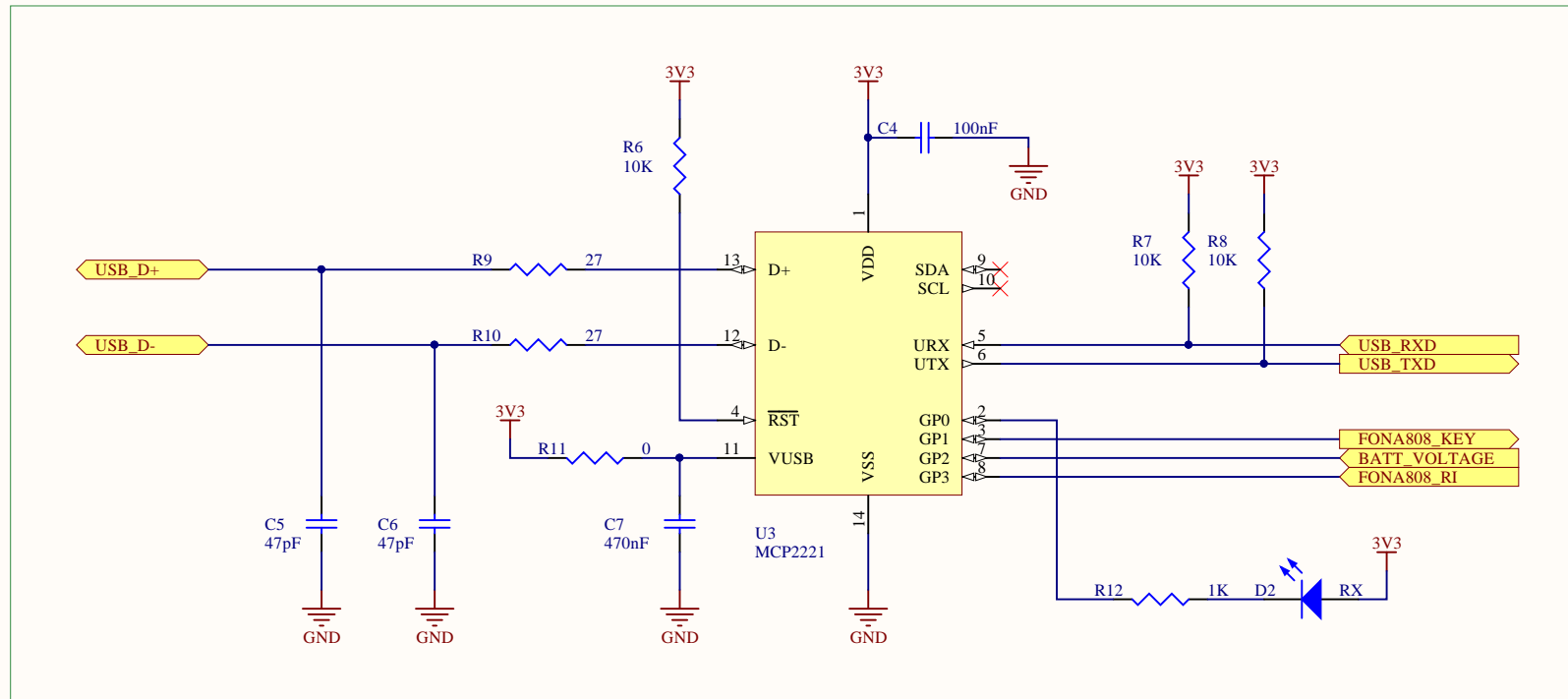
Time: 14:25:53

Sheet 2 of 4


File: 02 Alimentacion.SchDoc

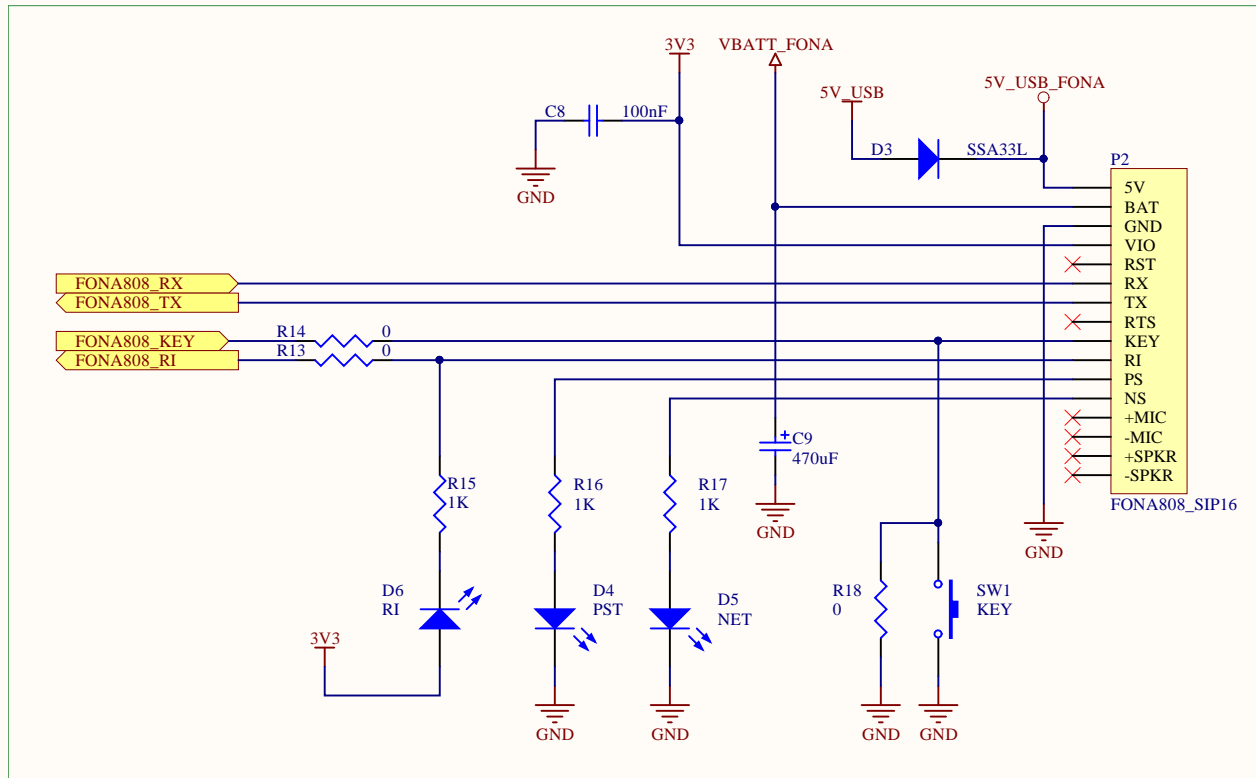
designed by jechavarria
www.jechavarria.com





MCP2221 USB-Serial Bridge

Title USB-Serial Bridge		FONA808 PC Board Version 1.0		
Size: A4	Number: 3	Revision: 01		
Date: 21/10/2016	Time: 14:25:53	Sheet 3 of 4		
File: 04 USB.SchDoc		designed by jechavarria www.jechavarria.com		



FONA808 Shield Connections



Title **FONA808 Module**

FONA808 PC Board
Version 1.0

Size: **A4** Number: **4** Revision: **01**

designed by **jchavarria**
www.jchavarria.com

Date: 21/10/2016 Time: 14:25:53 Sheet 4 of 4
File: 05 FONA808 Shield.SchDoc

