
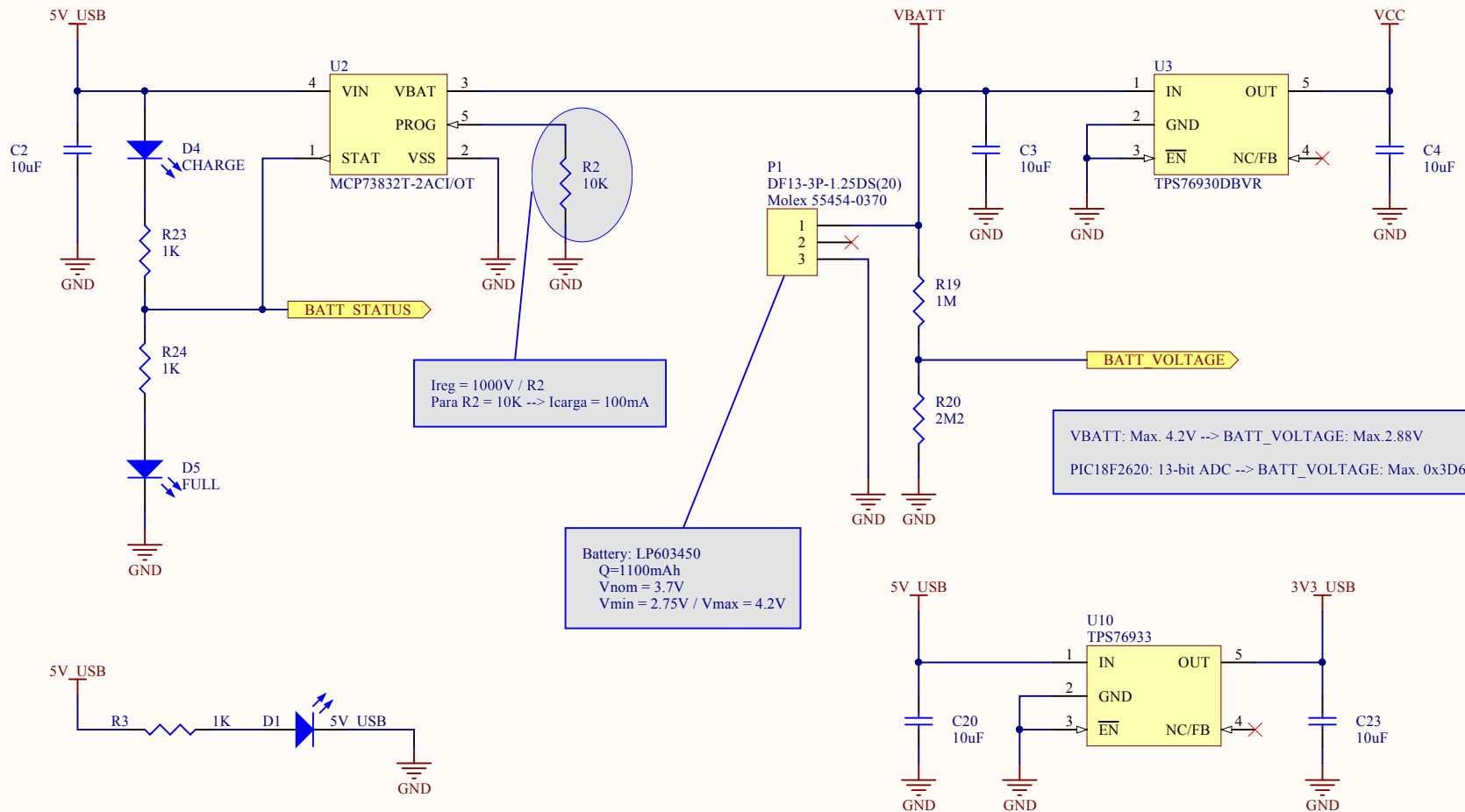


RTC  
Sensor T° y HR


|                                    |                |              |  |  |   |
|------------------------------------|----------------|--------------|--|--|---|
| Title <b>Main Diagram</b>          |                |              | PIC18F2620 Datalogger<br>Version 1.0           |  |  |
| Size: A4                           | Number: 1      | Revision: 01 | designed by jechavarria<br>www.jechavarria.com |  |   |
| Date: 29/01/2016                   | Time: 10:29:34 | Sheet 1 of 8 |  |  |   |
| File: 01 Diagrama Principal.SchDoc |                |              |  |  |   |

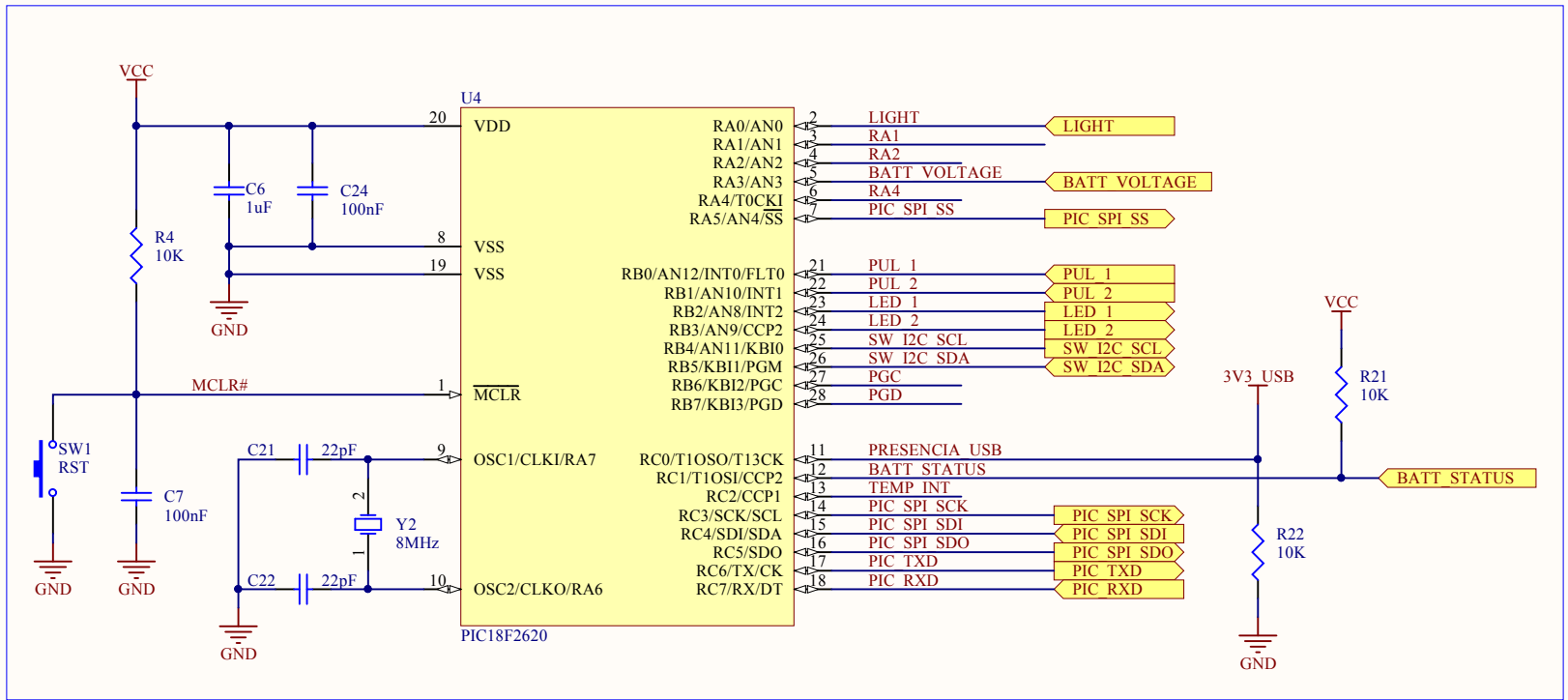


$I_{reg} = 1000V / R2$   
 Para  $R2 = 10K \rightarrow I_{carga} = 100mA$

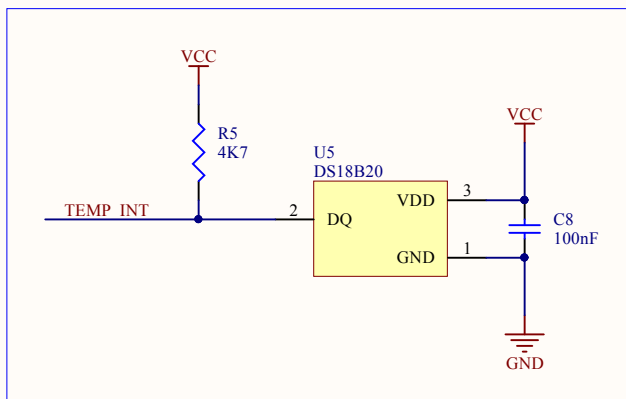
Battery: LP603450  
 $Q = 1100mAh$   
 $V_{nom} = 3.7V$   
 $V_{min} = 2.75V / V_{max} = 4.2V$

VBATT: Max. 4.2V  $\rightarrow$  BATT\_VOLTAGE: Max. 2.88V  
 PIC18F2620: 13-bit ADC  $\rightarrow$  BATT\_VOLTAGE: Max. 0x3D6

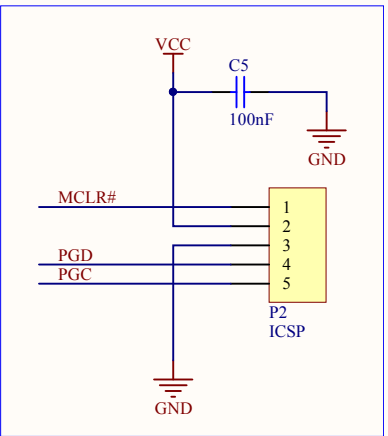
|                              |                |  |  |   |
|------------------------------|----------------|--|--|---|
| Title <b>Power Supply</b>    |                | PIC18F2620 Datalogger<br>Version 1.0           |  |  |
| Size: A4                     | Number: 2      | Revision: 01                                   |  |   |
| Date: 29/01/2016             | Time: 10:29:34 | Sheet 2 of 8                                   |  |   |
| File: 02 Alimentacion.SchDoc |                | designed by jechavarria<br>www.jechavarria.com |  |   |



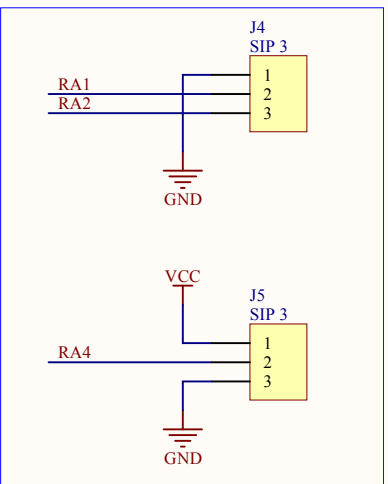
PIC18F2620 Microcontroller



Internal Temperature Sensor



ICSP Port



I/O Expansion

Title **PIC18F2620 Microcontroller**

PIC18F2620 Datalogger  
Version 1.0

Size: A4

Number: 3

Revision: 01

Date: 29/01/2016

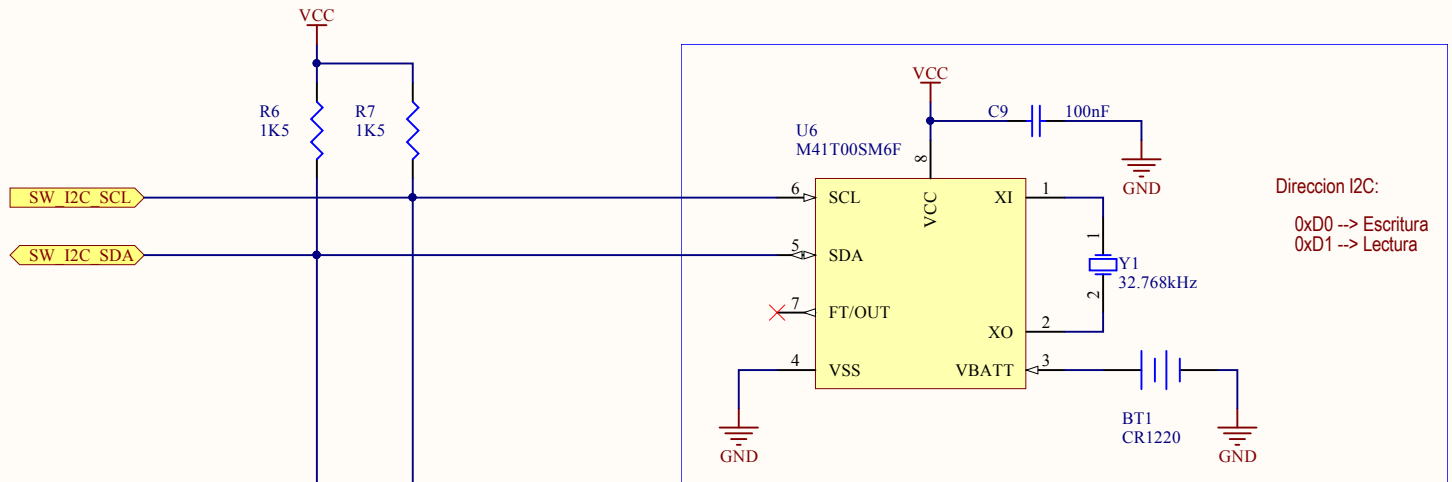
Time: 10:29:35

Sheet 3 of 8

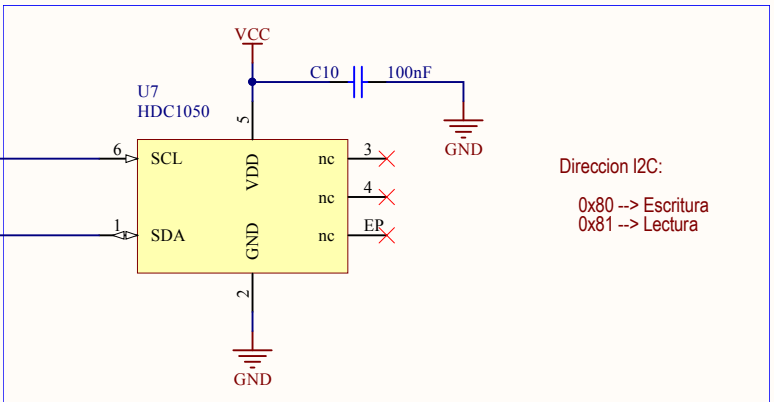
File: 03 Microcontrolador.SchDoc

designed by jechavarria  
www.jechavarria.com

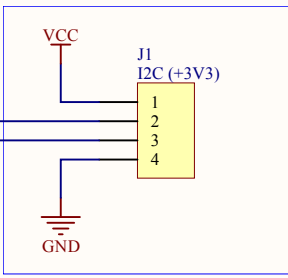




RTC

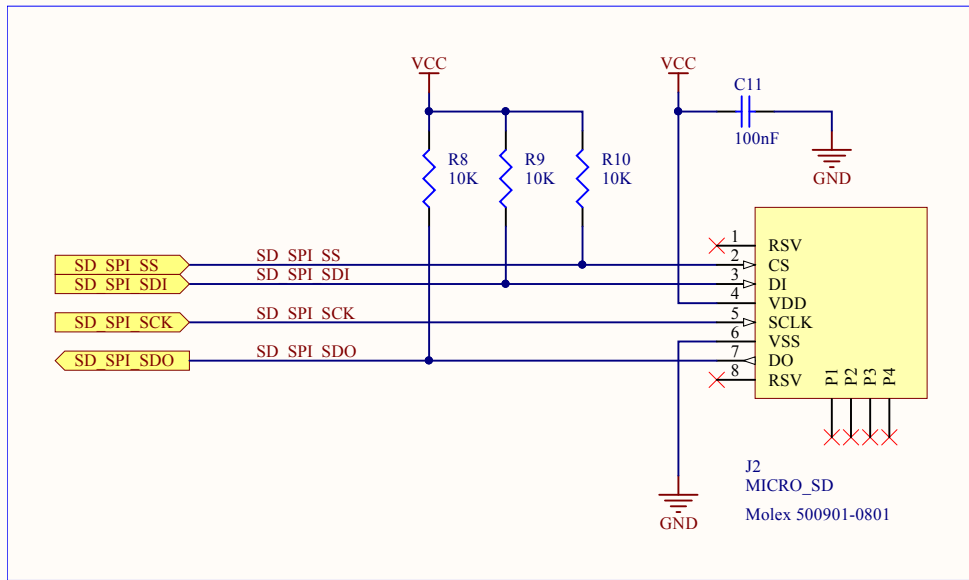


HDC1050 Temperature and Humidity Sensor



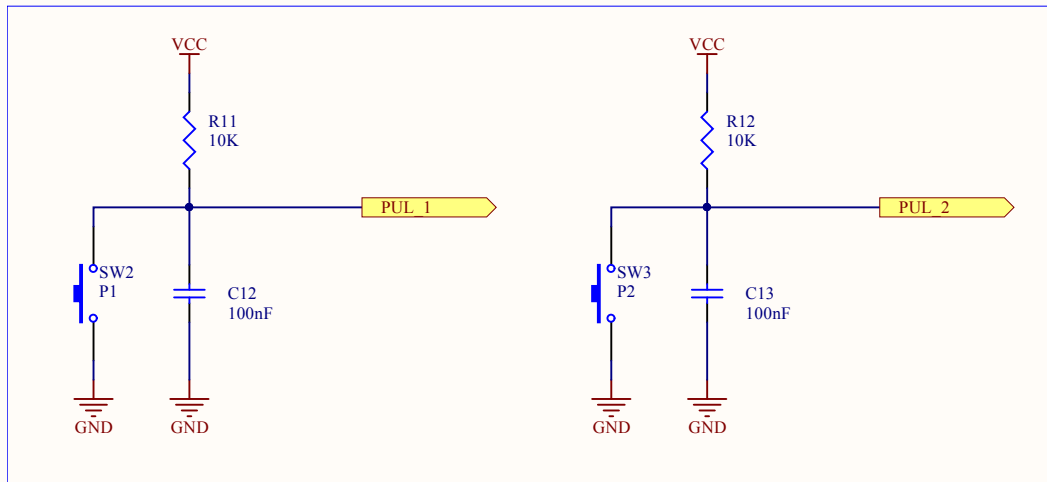
I2C Expansion Connector

|                         |                |                                      |                         |  |
|-------------------------|----------------|--------------------------------------|-------------------------|--|
| Title <b>I2C Bus</b>    |                | PIC18F2620 Datalogger<br>Version 1.0 |                         |  |
| Size: A4                | Number: 4      | Revision: 01                         | designed by jechavarria |  |
| Date: 29/01/2016        | Time: 10:29:35 | Sheet 4 of 8                         | www.jechavarria.com     |  |
| File: 04 Bus I2C.SchDoc |                |                                      |                         |  |

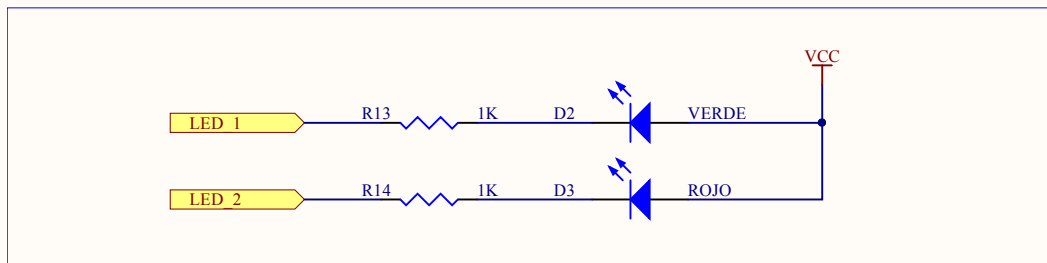


Micro SD Card Socket

|                                 |                |  |  |  |
|---------------------------------|----------------|--|--|--|
| Title <b>Micro-SD Card</b>      |                | PIC18F2620 Datalogger<br>Version 1.0           |  |  |
| Size: A4                        | Number: 5      | Revision: 01                                   |  |  |
| Date: 29/01/2016                | Time: 10:29:35 | Sheet 5 of 8                                   |  |  |
| File: 05 Tarjeta MicroSD.SchDoc |                | designed by jechavarria<br>www.jechavarria.com |  |  |

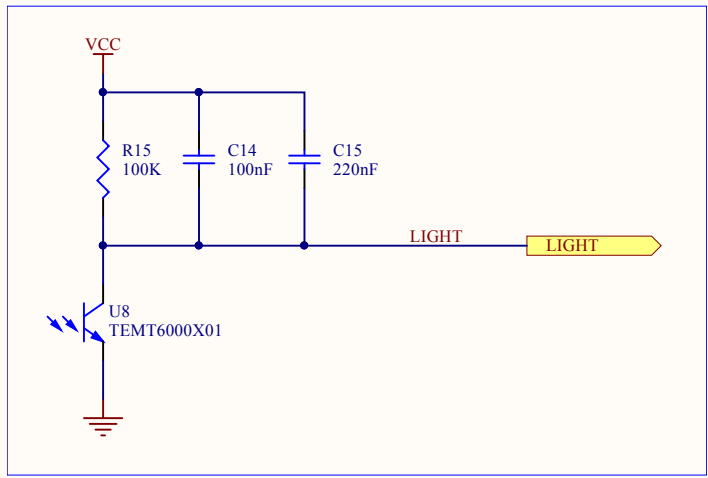


General Purpose Pushbuttons




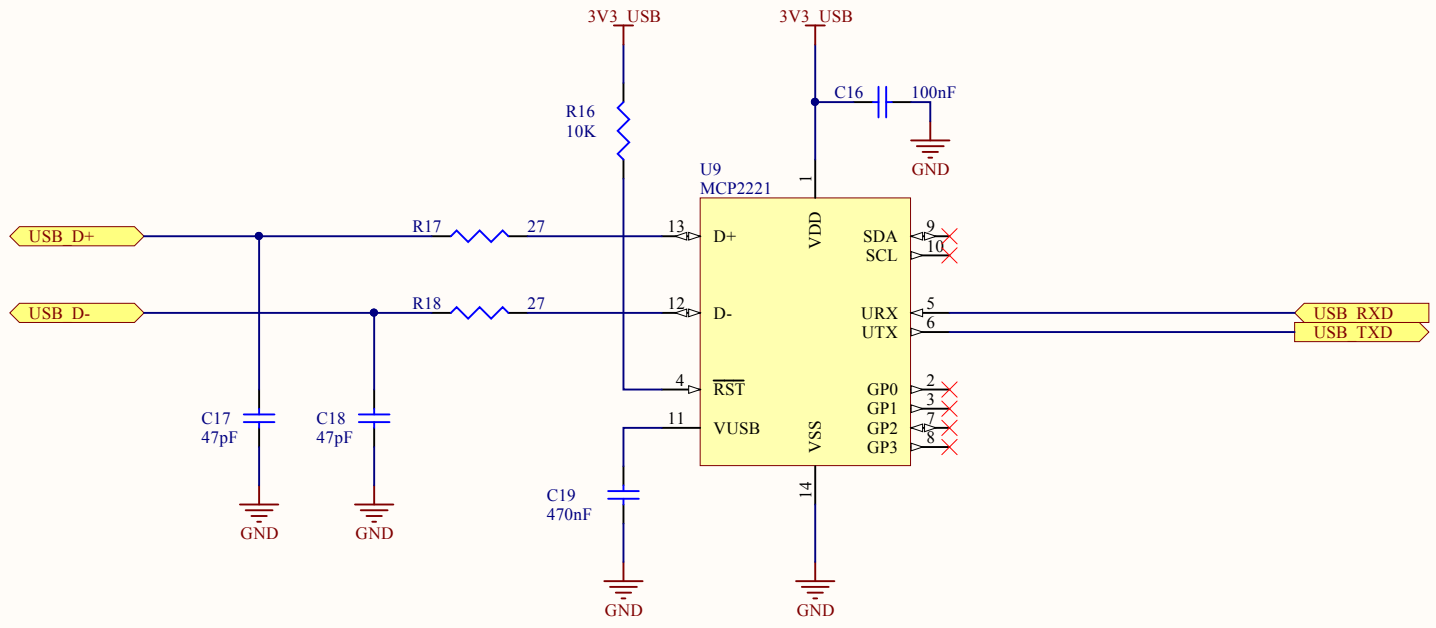
General Purpose Led's


|  |                       |  |  |  |
|--|-----------------------|--|--|--|
| Title <b><i>IHM Interface</i></b>      |                       | PIC18F2620 Datalogger<br>Version 1.0   |  |  |
| Size: <b>A4</b>                        | Number: <b>6</b>      | Revision: <b>01</b>  |  |  |
| Date: <b>29/01/2016</b>                | Time: <b>10:29:35</b> | Sheet <b>6</b> of <b>8</b>   |  |  |
| File: <b>06 Interfaz Humana.SchDoc</b> |                       | designed by <i>jechavarria</i><br><a href="http://www.jechavarria.com">www.jechavarria.com</a> |  |  |



LDR

|                     |                |              |                                      |  |   |
|---------------------|----------------|--------------|--------------------------------------|--|---|
| Title <b>LDR</b>    |                |              | PIC18F2620 Datalogger<br>Version 1.0 |  |  |
| Size: A4            | Number: 7      | Revision: 01 | designed by jechavarria              |  |   |
| Date: 29/01/2016    | Time: 10:29:35 | Sheet 7 of 8 | www.jechavarria.com                  |  |   |
| File: 07 LDR.SchDoc |                |              |                                      |  |   |



|                                |                |  |  |   |
|--------------------------------|----------------|--|--|---|
| Title <b>USB-Serial Bridge</b> |                | PIC18F2620 Datalogger<br>Version 1.0           |  |  |
| Size: A4                       | Number: 8      | Revision: 01                                   |  |   |
| Date: 29/01/2016               | Time: 10:29:35 | Sheet 8 of 8                                   |  |   |
| File: 08 USB.SchDoc            |                | designed by jechavarria<br>www.jechavarria.com |  |   |