
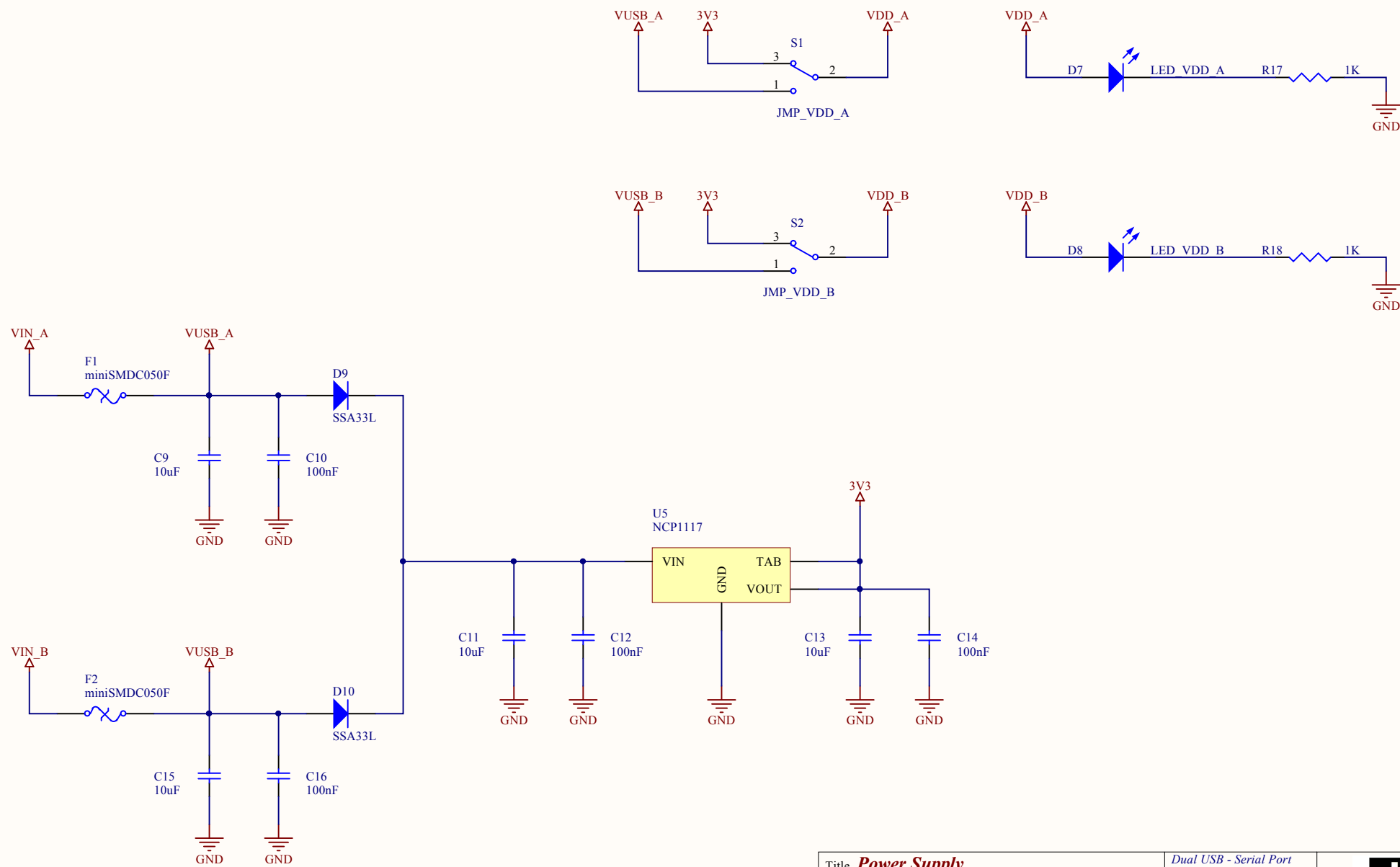
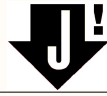
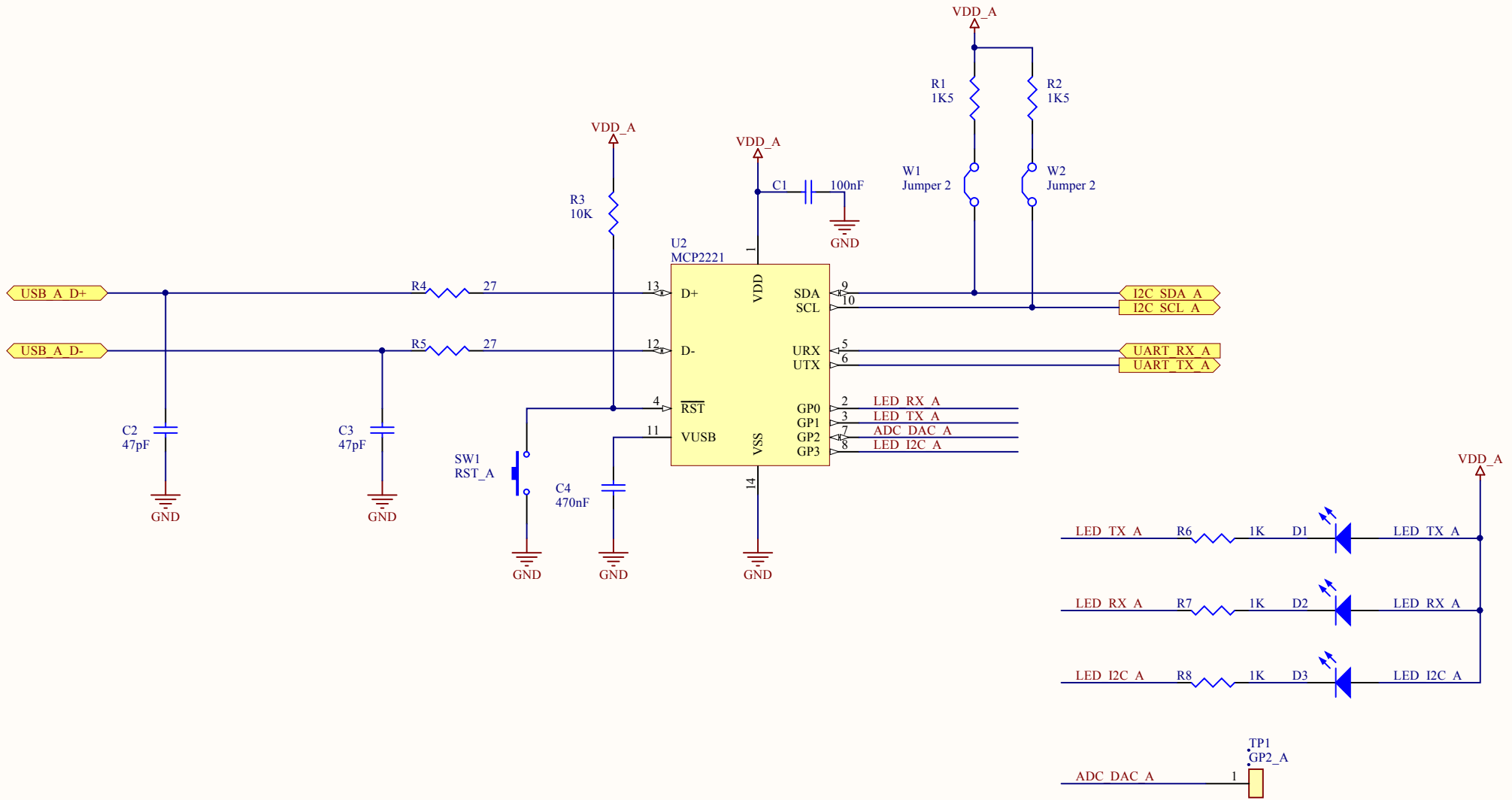



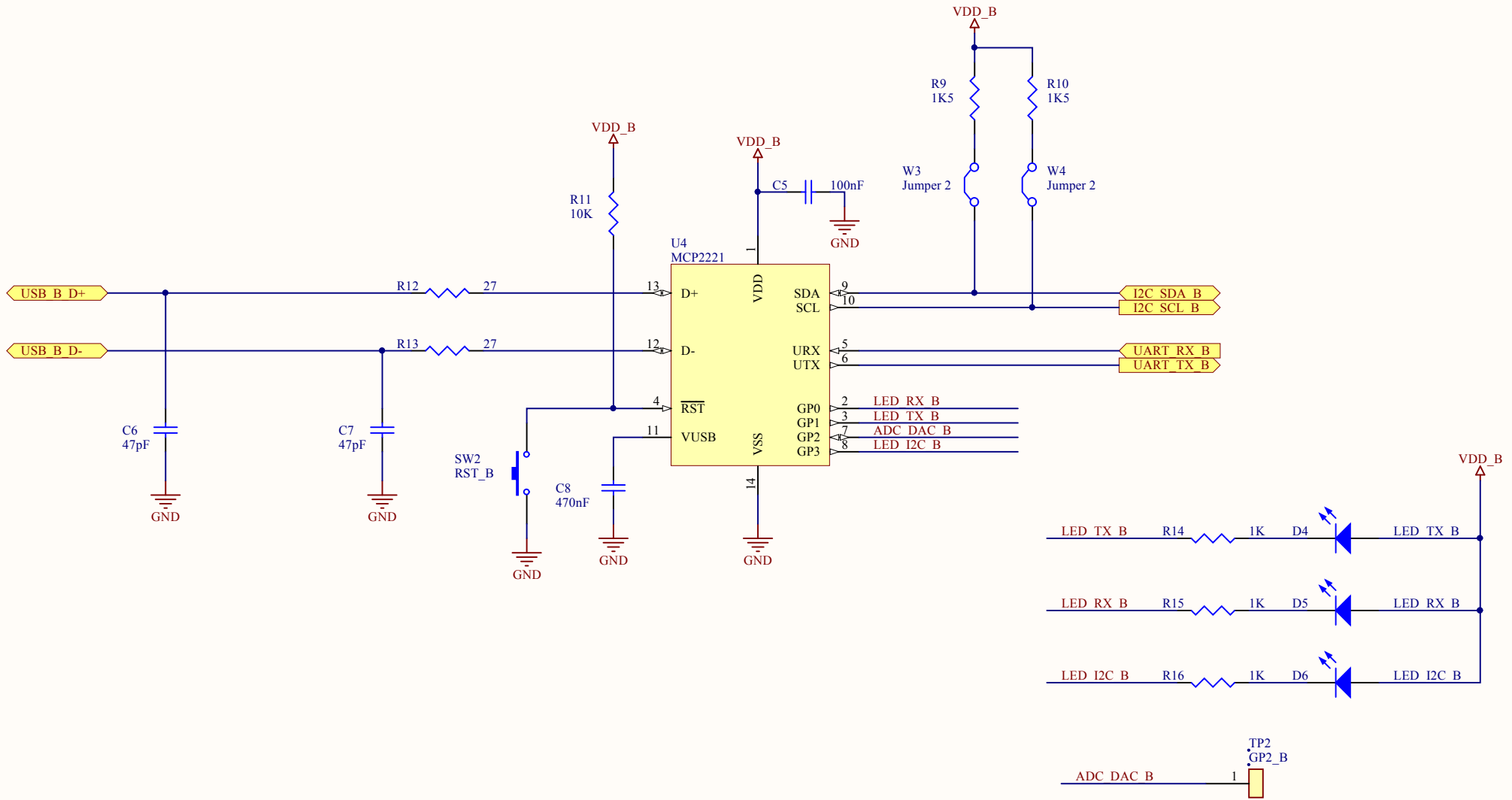
Title <b>Main Diagram</b>			Dual USB - Serial Port Converter Version 1.0 designed by jechavarria <a href="http://www.jechavarria.com">www.jechavarria.com</a>	
Size: A4	Number: 1	Revision: 1.0		
Date: 01/12/2015	Time: 10:13:24	Sheet 1 of 4		
File: 01 Diagrama Principal.SchDoc				



Title <b>Power Supply</b>			<i>Dual USB - Serial Port Converter</i> <i>Version 1.0</i> <i>designed by jechavarria</i> <a href="http://www.jechavarria.com">www.jechavarria.com</a>	
Size: A4	Number: 2	Revision: 1.0		
Date: 01/12/2015	Time: 10:13:24	Sheet 2 of 4		
File: 02 Alimentacion.SchDoc				



Title <b>USB - Serial Port Converter ( A )</b>			Dual USB - Serial Port Converter Version 1.0 designed by jechavarria <a href="http://www.jechavarria.com">www.jechavarria.com</a>	
Size: A4	Number: 3	Revision: 1.0		
Date: 01/12/2015	Time: 10:13:25	Sheet 3 of 4		
File: 03 Convorsor USB_A.SchDoc				



Title <b>USB - Serial Port Converter ( B )</b>			Dual USB - Serial Port Converter Version 1.0 designed by jechavarria <a href="http://www.jechavarria.com">www.jechavarria.com</a>	
Size: A4	Number: 4	Revision: 1.0		
Date: 01/12/2015	Time: 10:13:25	Sheet 4 of 4		
File: 04 Convsors USB_B.SchDoc				