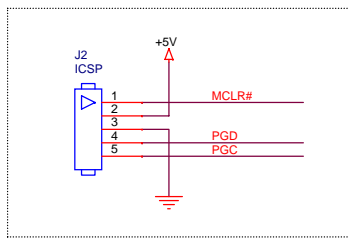
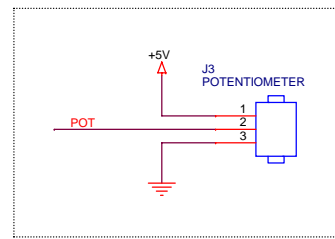


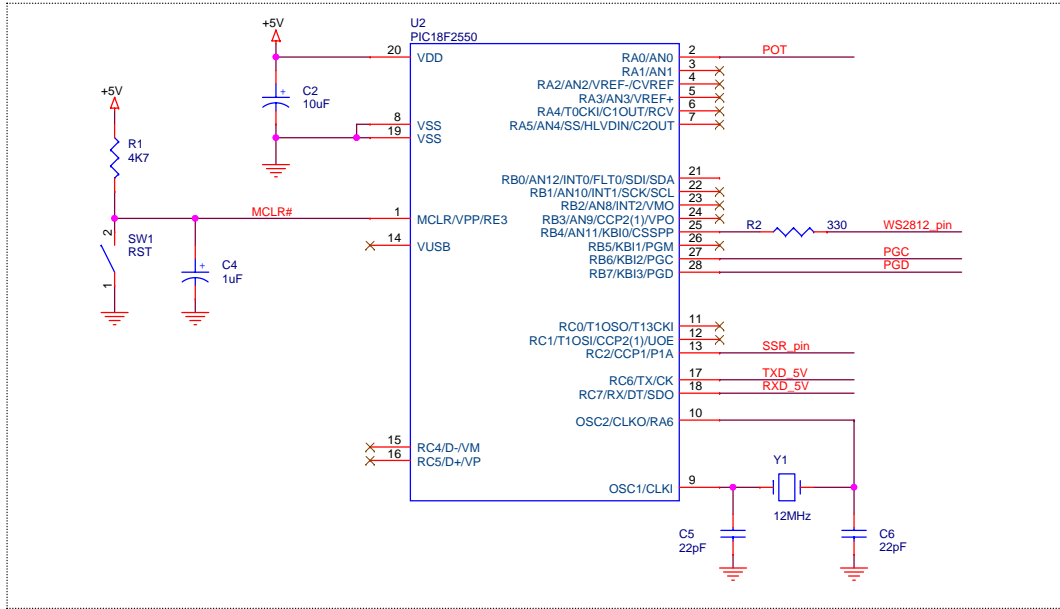
220VAC / 5VDC Converter



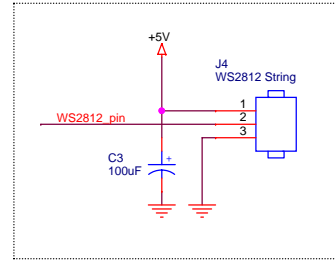
ICSP Connector



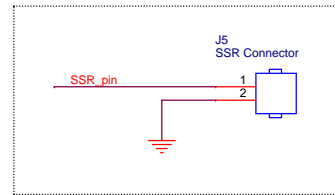
Potentiometer Connector



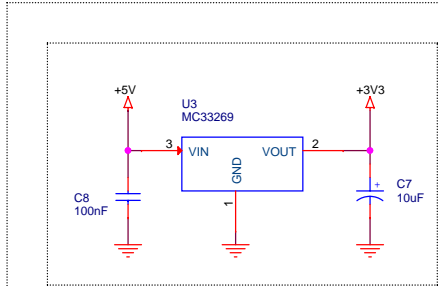
PIC18F2550 Microcontroller



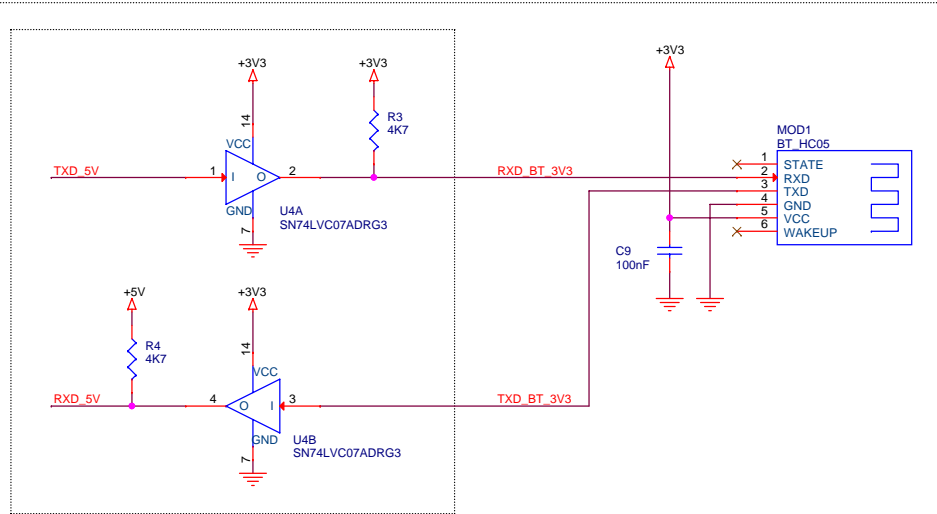
WS2812 Connector



WS2812 Connector

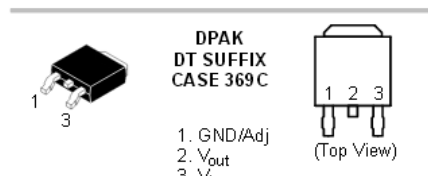


5V to 3V3 LDO



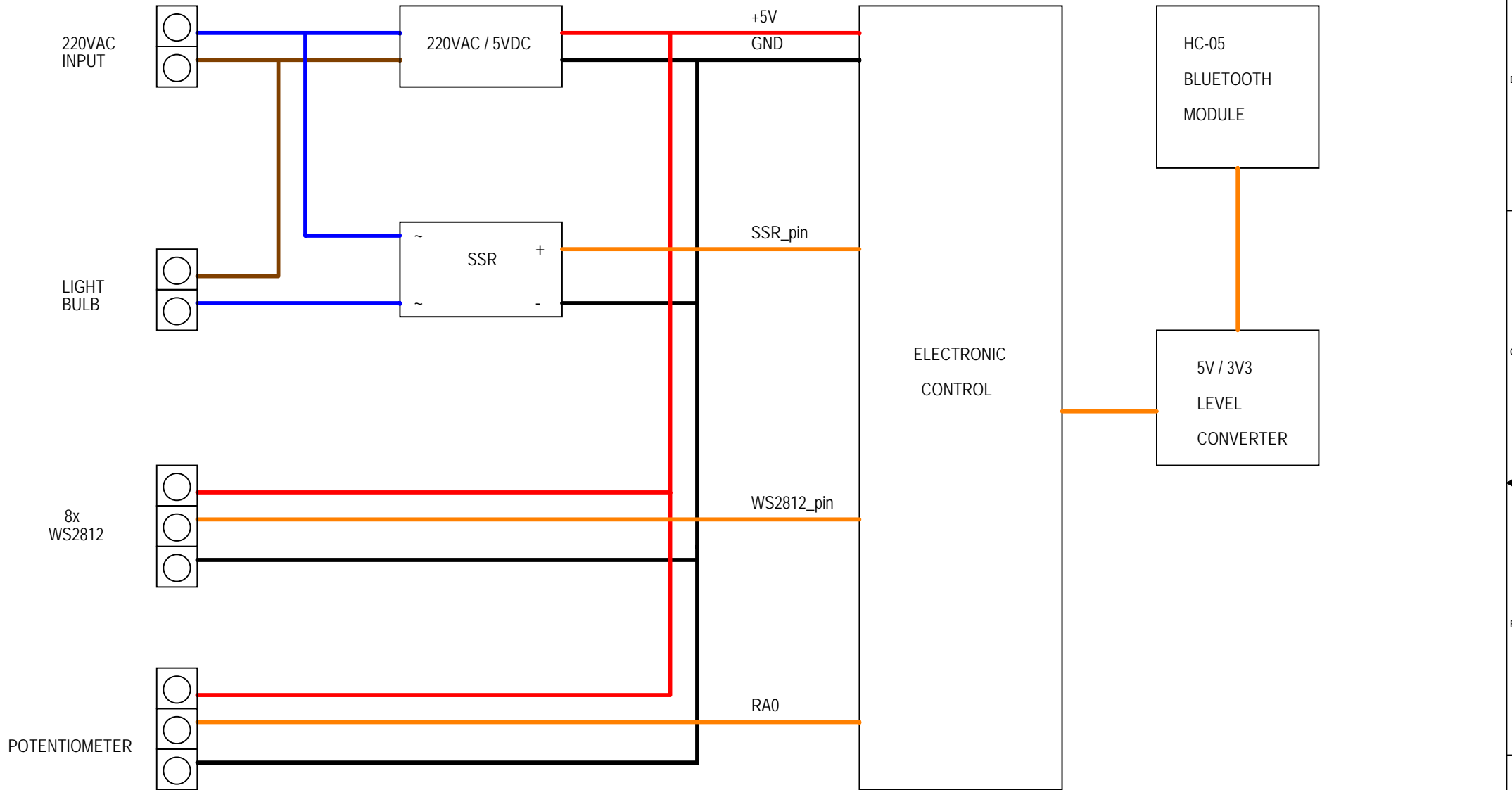
5V to 3V3 Level Translator

HC05 Bluetooth Module Interface



LAMPAN RGB Controller V1.11
 RGB Controller for LAMPAN Ikea Lamp based on PIC18F2550
 designed by jechavarria (www.jechavarria.com)

Title		
LAMPAN RGB Controller now with Bluetooth		
Size	Document Number	Rev
A3	LAMPAN_RGB_Controller V1.11	1.11
Date:	Tuesday, February 24, 2015	Sheet 1 of 2



	LAMPAN RGB Controller V1.11		
	RGB Controller for LAMPAN Ikea Lamp based on PIC18F2550 designed by jechavarria (www.jechavarria.com)		
	Title: Connections Scheme		
	Size: A4	Document Number: LAMPAN_RGB_Controller V1.11	Rev: 1.11
Date: Tuesday, February 24, 2015		Sheet: 2 of 2	