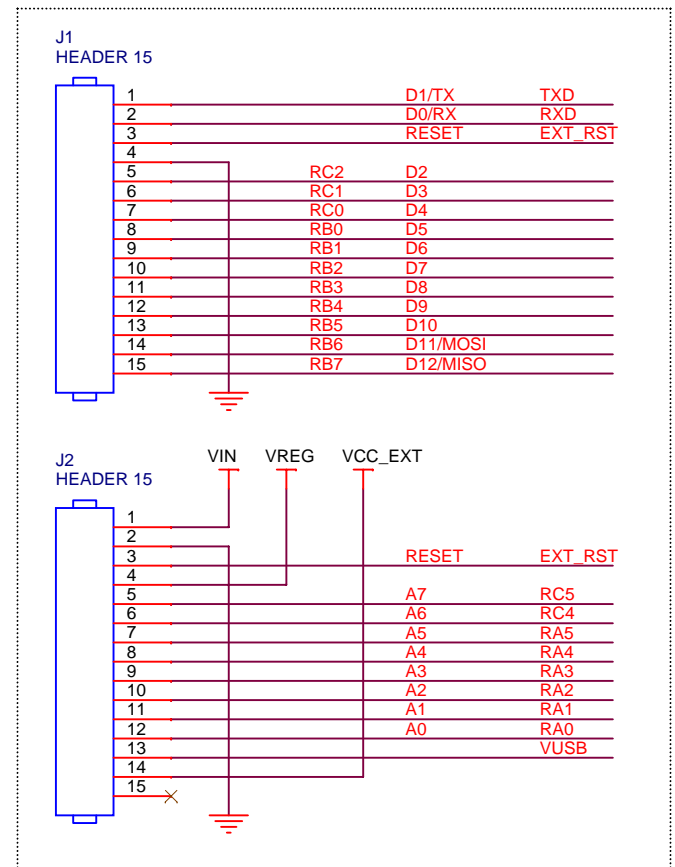
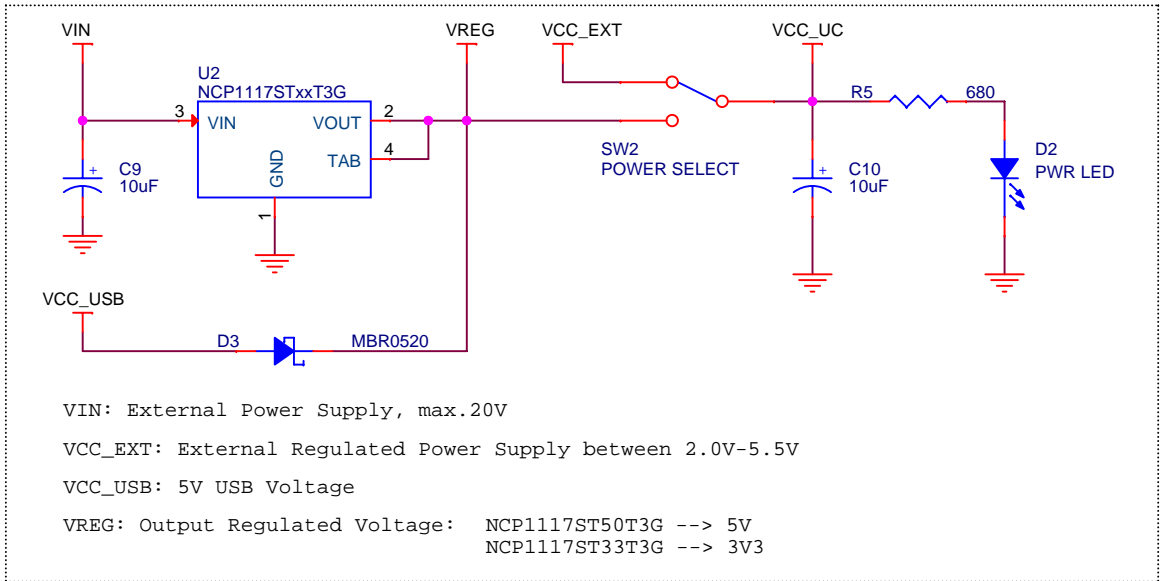


PIC18F2550 Microcontroller

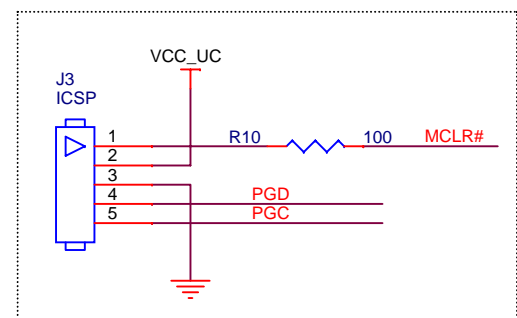


Header Connectors

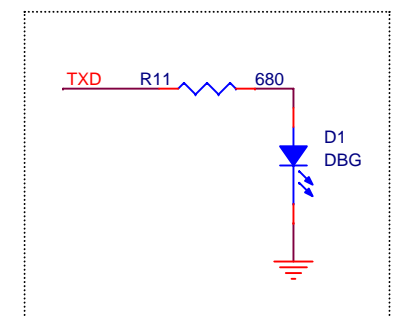


Power Supply Selection

VIN: External Power Supply, max.20V
 VCC_EXT: External Regulated Power Supply between 2.0V-5.5V
 VCC_USB: 5V USB Voltage
 VREG: Output Regulated Voltage: NCP1117ST50T3G --> 5V
 NCP1117ST33T3G --> 3V3



ICSP Connector



User Led

PICNANO BREADBOARD Version 1.0
 PIC18F2550 Breadboard inspired on Arduino Nano Board
 designed by jechavarria (www.jechavarria.com)

Title		
Main Diagram		
Size	Document Number	Rev
A4	PICNANO_BREADBOARD_V1.0	1.0
Date:	Wednesday, July 16, 2014	Sheet 1 of 1