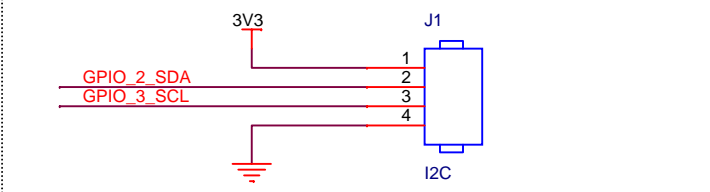
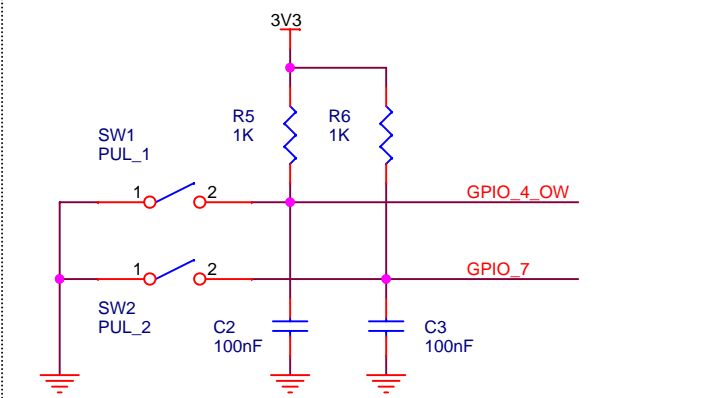


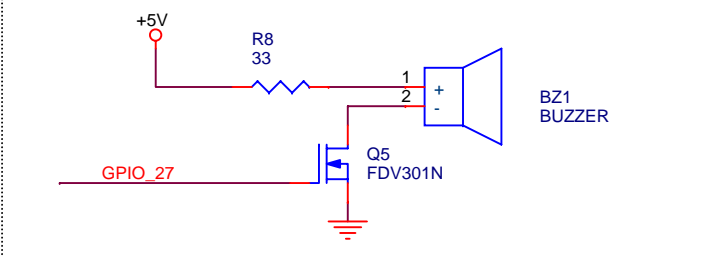
Raspberry Pi GPIO Connector



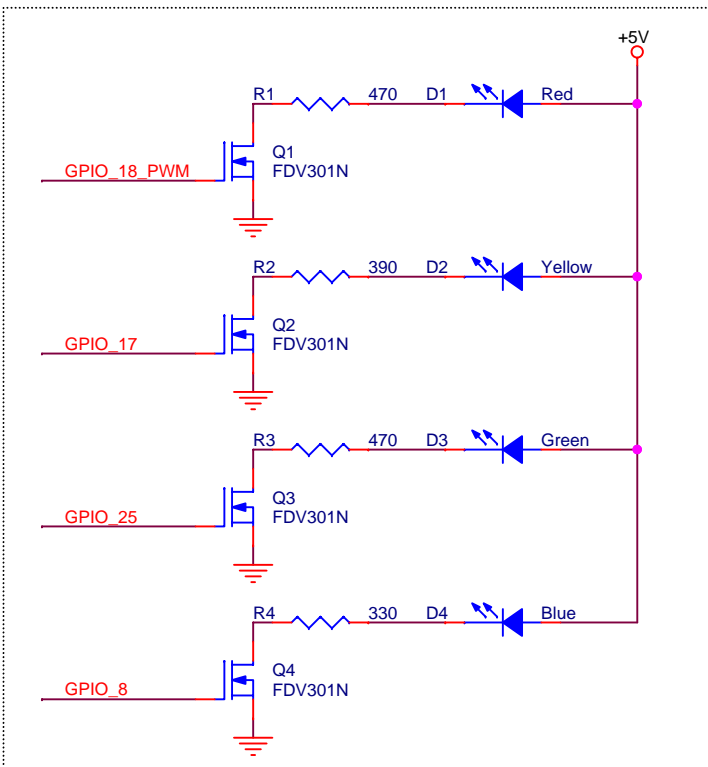
External I2C Connector



Pushbuttons



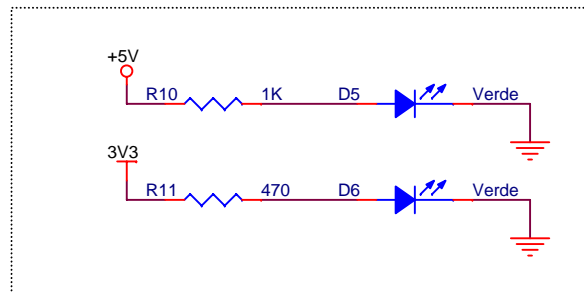
Buzzer



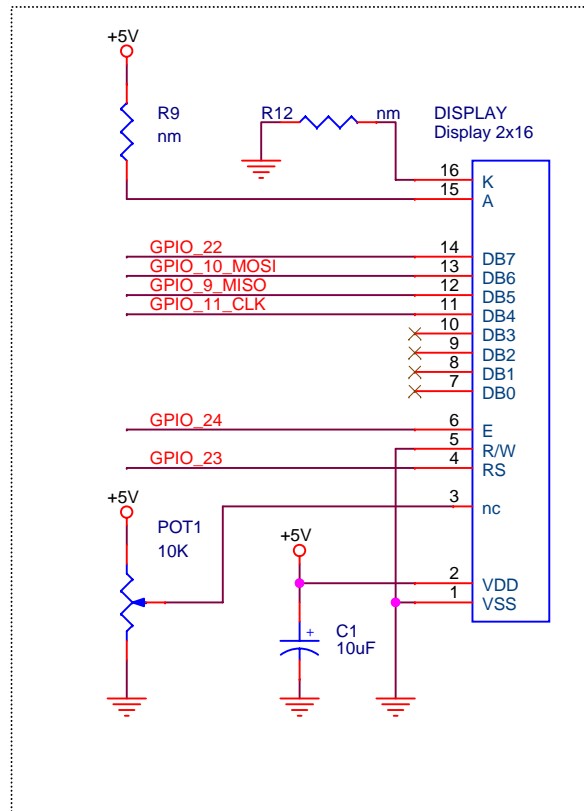
User Led's

GPIO 4	-->	PUSH_1
GPIO 17	-->	YELLOW_LED
GPIO 27	-->	BUZZER
GPIO 22	-->	LCD_D7
GPIO 10	-->	LCD_D6
GPIO 9	-->	LCD_D5
GPIO 11	-->	LCD_D4
GPIO 18	-->	RED_LED
GPIO 23	-->	LCD_RS
GPIO 24	-->	LCD_E
GPIO 25	-->	GREEN_LED
GPIO 8	-->	BLUE_LED
GPIO 7	-->	PUSH_2

Used Signals



Power Led's



LCD 2x16 (Both OLED and LCD ones)

RPi - Python Board for Raspberry Pi
 Bio-Educacion Project (www.desafioecuador.org)
 Designed by jechavarria (www.jechavarria.com)

Title		
Main Diagram		
Size	Document Number	Rev
A4	EEL_RPI_BOARD	02
Date:	Wednesday, October 01, 2014	Sheet 1 of 1