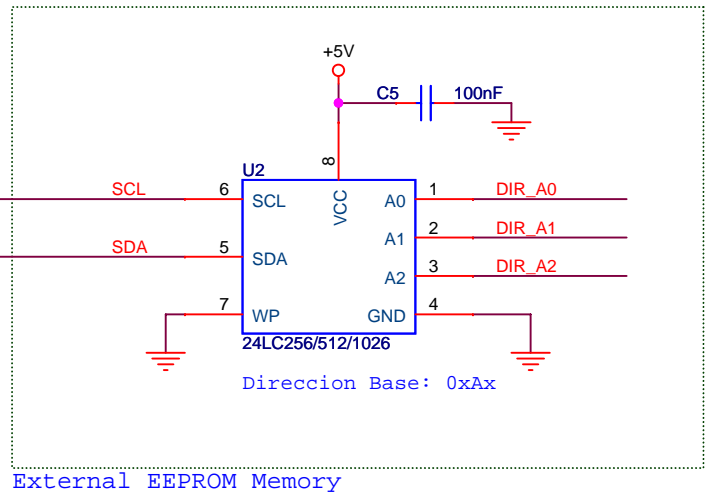
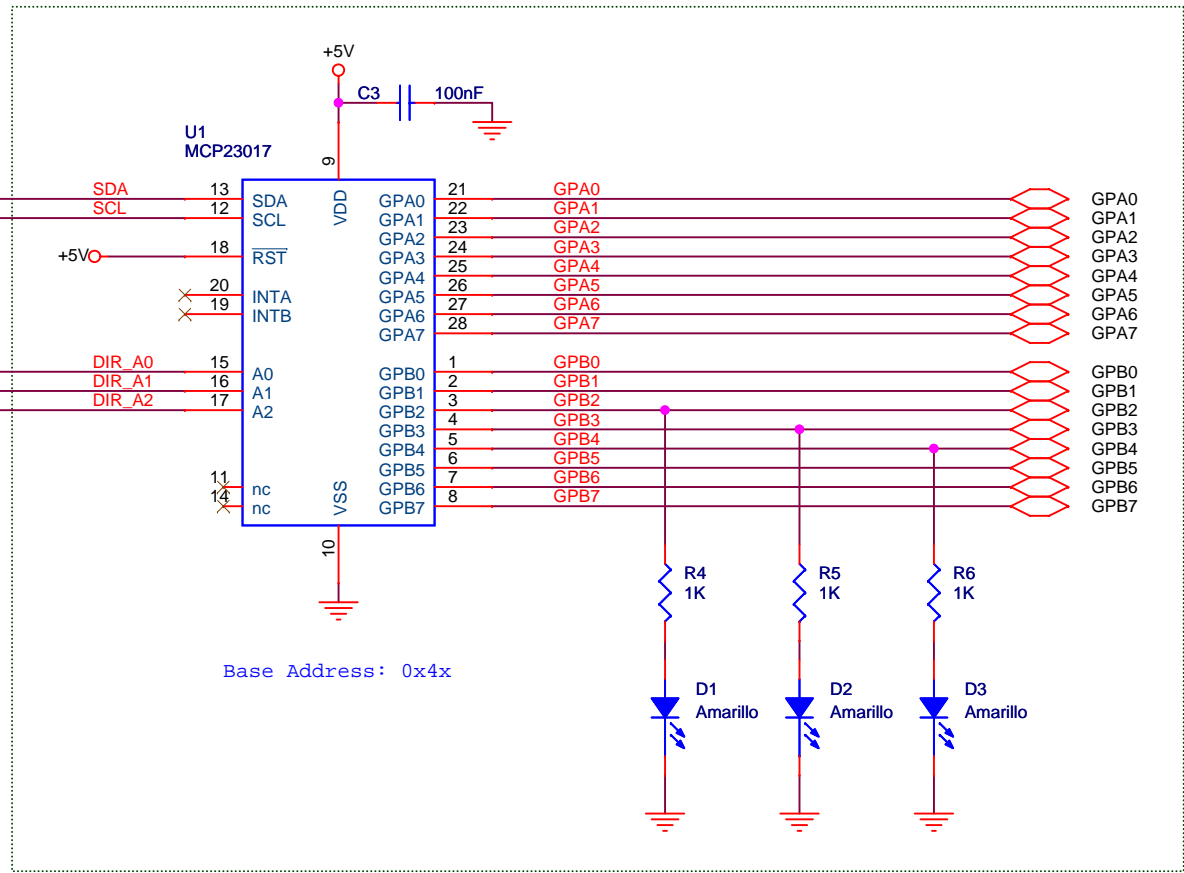
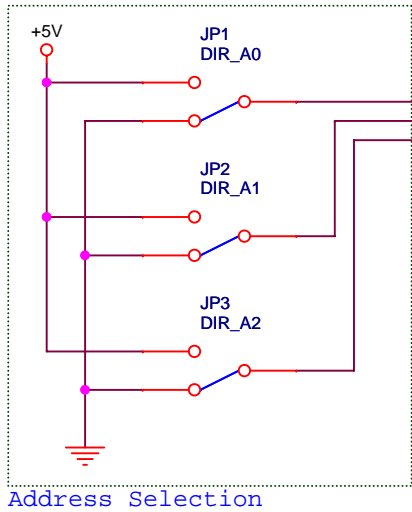
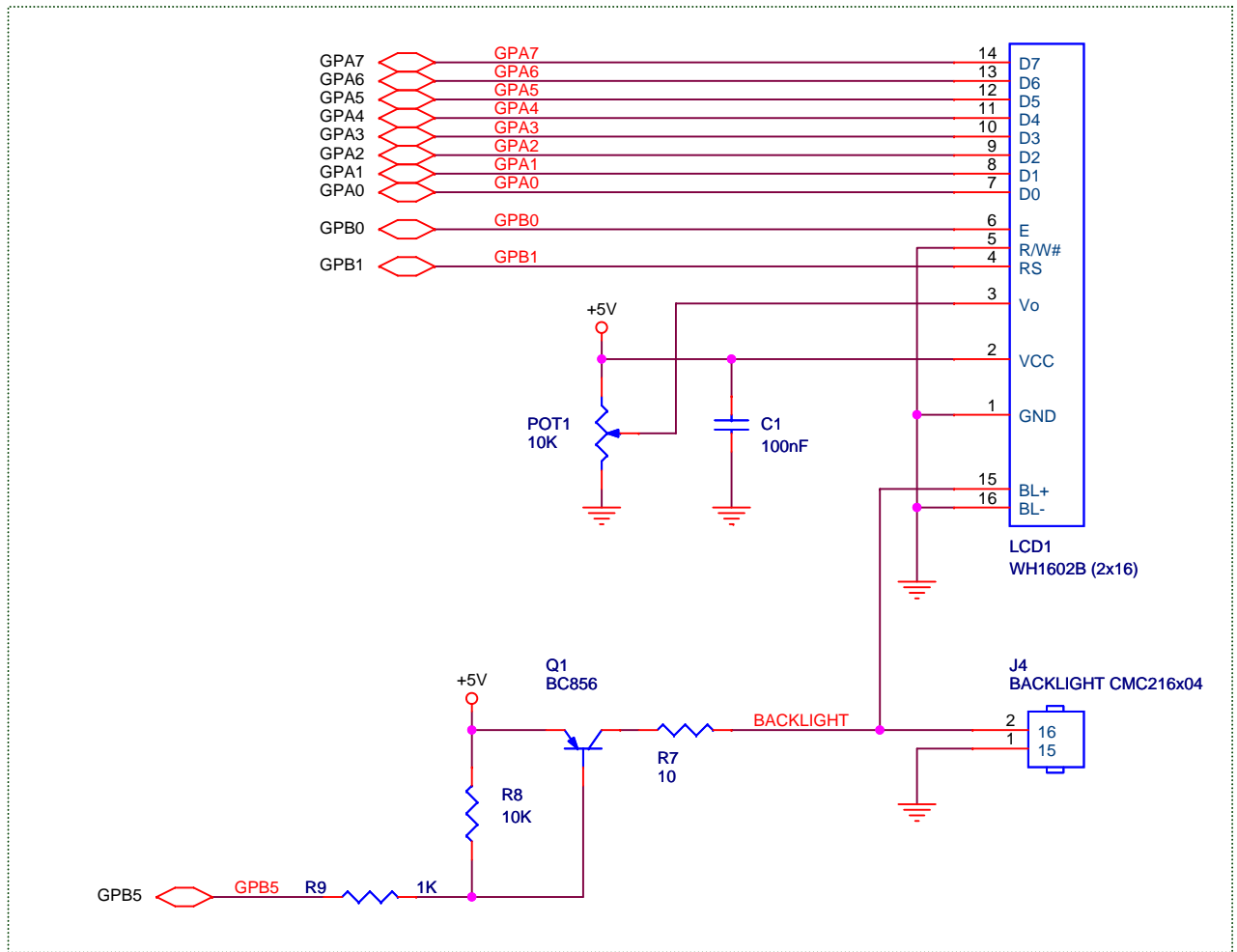
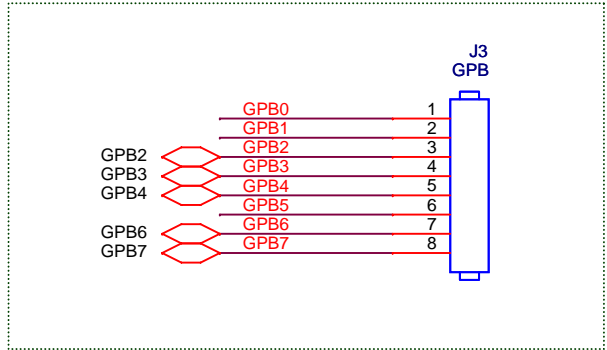
	<b># Project ETA #</b>		
	I2C LCD Controller designed by jechavarria ( <a href="http://www.jechavarria.com">www.jechavarria.com</a> )		
<b>Title</b>			
<b>Main Diagram</b>			
<b>Size</b>	Document Number	<b>Rev</b>	
A4	ET1212_01	1.0	
<b>Date:</b> Thursday, February 28, 2013		<b>Sheet</b> 1	<b>of</b> 3




	<b># Project ETA #</b>	
	I2C LCD Controller designed by jechavarria ( <a href="http://www.jechavarria.com">www.jechavarria.com</a> )	
<b>Title</b>		
I2C Expander and External EEPROM		
<b>Size</b>	Document Number	<b>Rev</b>
A4	ET1212_01	1.0
<b>Date:</b>	Thursday, February 28, 2013	<b>Sheet</b> 2 <b>of</b> 3



LCD Connector



GPB Port

	<b># Project ETA #</b>	
	I2C LCD Controller designed by jechavarria ( <a href="http://www.jechavarria.com">www.jechavarria.com</a> )	
<b>Title</b>		
LCD 2x16 Connector		
<b>Size</b>	<b>Document Number</b>	<b>Rev</b>
A4	ET1212_01	1.0
<b>Date:</b> Thursday, February 28, 2013		<b>Sheet</b> 3 <b>of</b> 3